

存在，只为品质!

Exist, only for quality!

产品手册 Product Manual

一站式采购，简化采购流程，节约采购成本

One-stop purchasing simplifies the purchasing process and saves purchasing costs.



上海斐景电气有限公司

Shanghai Flyview Electric Co., Ltd.

电话/TEL: +86 186 2138 9525/+86 185 5021 2788

邮箱/E-mail: 3137161057@qq.com

工厂地址: 苏州市相城区太平街道富泰路2号1栋3楼

Address: 3rd Floor, Building 1, No. 2, Futai Road, Taiping Street, Xiangcheng District, Suzhou, China.

网址/Website: www.flyview.cc www.fly-view.net

上海斐景电气有限公司
Shanghai Flyview Electric Co., Ltd.



工匠精神 铸炼中国质造!

Craftsman spirit,
Casting and refining China's quality.

感恩客户,
感恩我们的供应商,
感恩公司之前的与现在还有未来的同事!

Grateful to our customers,
grateful to our suppliers, and grateful to our past,
present, and future colleagues.

目录 Contents

公司简介 Company Profile	01
水泥电阻器 Cement Resistors	04
黄金铝壳电阻器 Gold Aluminum Shell Wirewound Resistors	05
船形铝壳电阻器 Boat Type Aluminum Shell Wirewound Resistors	06
波纹电阻器 Wire-wound Resistor	07
铝壳电阻器 Aluminum Resistor	09
制动电阻箱 Braking Resistors Box	11
制动电阻柜 Power Resistors Unit	14
中性点接地柜 Neutral Grounding Resistor	16
ZX18不锈钢电阻器 ZX18 Stainless Steel Resistor	18
FAS不锈钢电阻器 FAS Stainless Steel Resistor	20
负载柜 Load Cabinet	22
制动单元 Brake Unit	24
回馈单元 Energy Recuperation Unit	27
单相控制变压器 Single-phase Control Transformer	31
三相隔离变压器 Three-phase Isolation Transformer	33
串联电抗器 Series Reactor	36
交流输入输出电抗器 Three-phase AC Input And Output Reactor	39
直流电抗器 DC Reactor	44
DUDT (DVDT) 滤波电抗器 DUDT (DVDT) Filter Reactor	46
正弦波滤波器 Sine Wave Filter	48
单相高频滤波器 Single Phase High Frequency Filter	51
三相高频滤波器 Three Phase High Frequency Filter	53
生产环境与生产设备 Production Environment And Production Equipment	56

企业简介

Company Profile



20年以上从业经验

More than 20 years of experience



已通过ISO9001
国际质量体系认证

Has passed ISO9001
international quality
system certification



CE认证
CE Certification

上海斐景电气有限公司是一家专注于电力电子无源器件的研发、生产、销售和服务的技术型企业，是国内变频器、电能质量改善和新能源领域用户的合格供应商。公司主要产品有电抗器、变压器、电阻器、制动单元、能量回馈单元、滤波器 主要业务集中在工业自动化控制和能源电力两大领域。

我们将始终坚持以客户为中心，以人才和技术为基础，深耕于电力电子无源器件行业，专注于通过我们的产品和创新为客户带来切实的利益，推动可持续发展，致力成为电力电子无源器件行业的一流品牌。

2018年成功申请“铸匠”自主品牌，并拥有ISO9001、CE等国际质量体系认证。我司研制生产的“铸匠”牌铝壳电阻器具有IP67的防护等级防水，防爆，可在水中及易燃易爆的恶劣环境中使用。波纹电阻器采用自身研发的无机涂料，克服了有机涂料常有的刺激性气味的缺点，兼顾美观的同时也增强了电阻器的散热性能，延长了电阻器的使用寿命，是变频器及伺服控制器厂家的绝佳选择。

Shanghai Flyview Electric Co., Ltd. is a technology-based enterprise focusing on the research and development, production, sales and service of power electronic passive devices. It is a qualified supplier for users in the fields of domestic inverters, power quality improvement and new energy. The company's main products include reactors, transformers, resistors, brake units, energy feedback units, filters. The main business is concentrated in the two major fields of industrial automation control and energy and power.

We will always adhere to customer-centricity, talent and technology as the basis, deeply cultivate the power electronic passive device industry, focus on bringing tangible benefits to customers through our products and innovations, promote sustainable development, and strive to become a first-class brand in the power electronic passive device industry.

In 2018, we successfully applied for the "Zhujiang" independent brand and have ISO9001, CE and other international quality system certifications. The "Zhujiang" brand aluminum shell resistors developed and produced by our company have an IP67 protection level of waterproof and explosion-proof, and can be used in water and in flammable and explosive harsh environments. The corrugated resistor uses inorganic coating developed by itself, which overcomes the disadvantage of irritating odor often found in organic coating. It not only takes into account the beauty, but also enhances the heat dissipation performance of the resistor, prolongs the service life of the resistor, and is an excellent choice for manufacturers of frequency converters and servo controllers.



上海斐景坚持致力于产品的研发与创新，为工业机械、新能源、轨道交通、电能配置等行业客户提供极具竞争力的产品，为客户提供综合解决方案和优质服务，为了客户品质，竭尽全力。我们坚信，只有最优质的材料和最严谨的工艺，秉着6Sigma的精神才能创造出最出色的产品。品质如金，质量无忧。产品品质是我们的核心竞争力。我们坚持以质量为本，不断创新，为您提供更高品质、更加可靠的产品！我司产品品牌“铸匠”，是中国品牌计划中的一员，相信在不久的将来我们将走向国门，享誉世界！让我们一起努力让世界钦佩中国质造！让世界信赖中国铸匠！

Shanghai Flyview insists on being committed to product research and development and innovation, providing highly competitive products for customers in industries such as industrial machinery, new energy, rail transportation, and power configuration, providing customers with comprehensive solutions and quality services, and doing its best for customer quality. We firmly believe that only the best materials and the most rigorous processes, adhering to the spirit of 6Sigma can create the best products. Quality is like gold, and quality is worry-free. Product quality is our core competitiveness. We insist on quality-oriented, continuous innovation, and provide you with higher quality and more reliable products! Our product brand "Zhujiang" is a member of the Chinese brand plan. I believe that in the near future we will go abroad and become world-renowned! Let us work together to make the world admire Chinese quality! Let the world trust Chinese Zhujiang!

水泥电阻器

Cement Resistors

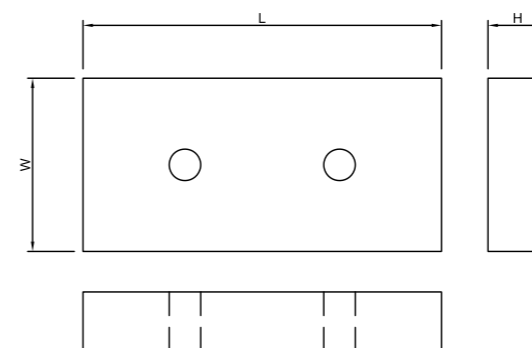
执行标准 Applicable standards

GB/T5729-2003 电子设备用固定电阻器

GB/T5729-2003 Fixed resistor used in electronic equipment



外形尺寸 Outline Dimension



规格 Type specification

型号 Type	额定功率 Rated Power (W)	尺寸 Dimensions (mm)			电阻值范围 Resistance Value Range (Ω)		精度 Precision	耐电压 Withstand Voltage (V)
		L	L1	L2	Min	Max		
PSR	80	91	44	15	1	100	$\pm 5\% - \pm 10\%$	800

产品介绍 Product Introduction

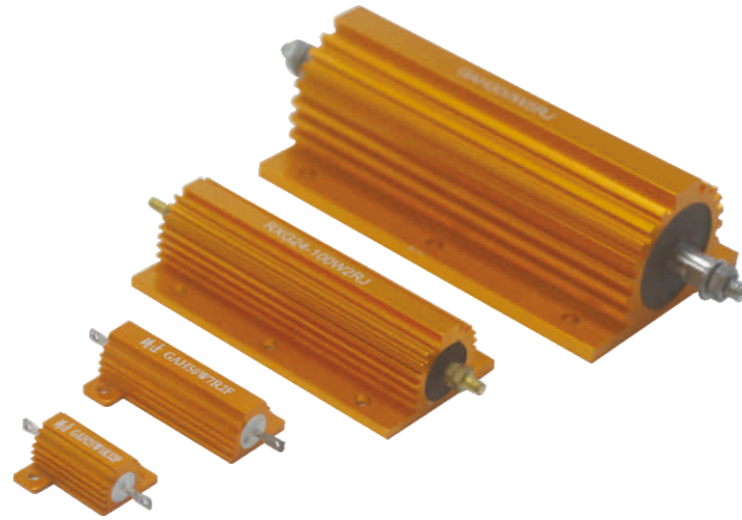
黄金铝壳电阻器

Gold Aluminum Shell Wirewound Resistors

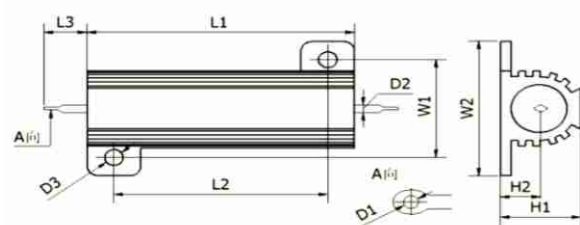
执行标准 Applicable standards

GB/T5729-2003
电子设备用固定电阻器

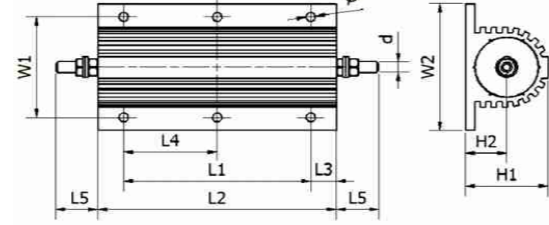
GB/T5729-2003
Fixed resistor used in electronic equipment



外形尺寸 Outline Dimension



LRX5W-50W



LRX75W-500W

规格 Type specification

型号 Type	额定功率 Rated Power (W)	尺寸 Dimensions (mm)										电阻值范围 Resistance Value Range (Ω)		
		L1	L2	L3	W1	W2	H1	H2	D1	D2	D3	-	Min	Max
5-50		L1	L2	L3	W1	W2	H1	H2	D1	D2	D3	-	Min	Max
GAH	5	15.0	11.0	12.0	12.0	16.0	8.0	4.4	-	0.75	2.4	-	0.1	1K
GAH	10	19.0	14.0	10.0	16.0	21.0	10.0	5.0	1.8	1.5	2.5	-	0.1	1.5K
GAH	25	27.0	18.5	10.0	20.0	27.0	13.0	7.0	2.0	2.0	3.5	-	0.1	10K
GAH	30	34.0	25.0	10.0	21.5	29.0	15.5	7.3	2.0	2.0	3.5	-	0.1	27K
GAH	50	50.0	40.0	10.0	21.5	29.0	15.5	7.3	2.0	2.0	3.5	-	0.1	33K
75-500		L1	L2	L3	L4	L5	W1	W2	H1	H2	d	Ø	Min	Max
GAH	75	29.0	51.0	11.0	-	11.5	37.0	48.0	26.0	11.5	4.0	4.2	0.1	39K
GAH	100	35.0	66.0	16.0	-	16.5	37.0	48.0	26.0	12.0	4.0	4.2	0.1	51K
GAH	150	69.0	97.0	14.0	34.5	16.5	37.0	48.0	26.0	12.0	4.0	4.2	0.1	56K
GAH	200	70.0	92.0	11.0	35.0	25.0	58.0	73.0	45.0	20.0	6.0	5.2	0.1	62K
GAH	250	90.0	112.0	11.0	45.0	25.0	58.0	73.0	45.0	20.0	6.0	5.2	0.1	68K
GAH	300	102.0	130.0	14.0	51.0	25.0	58.0	73.0	45.0	20.0	6.0	5.2	0.1	75K
GAH	350	120.0	150.0	15.0	60.0	25.0	58.0	73.0	45.0	20.0	6.0	5.2	0.1	78K
GAH	400	140.0	170.0	15.0	70.0	25.0	58.0	73.0	45.0	20.0	6.0	5.2	0.1	80K
GAH	500	174.0	204.0	15.0	87.0	25.0	58.0	73.0	45.0	20.0	6.0	5.2	0.1	82K

船形铝壳电阻器

Boat Type Aluminum Shell Wirewound Resistors

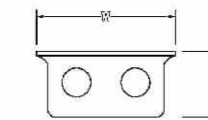
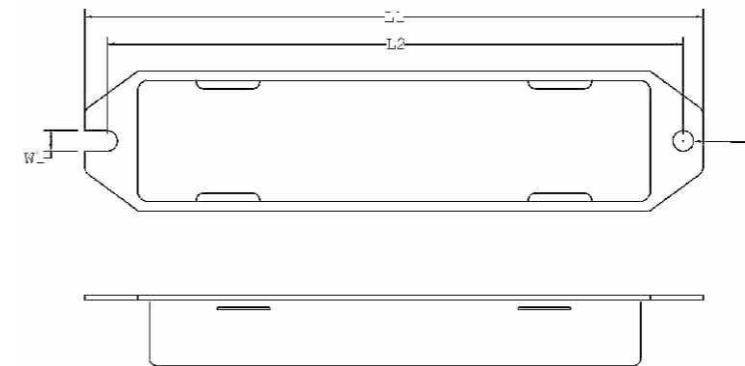
执行标准 Applicable standards

GB/T5729-2003
电子设备用固定电阻器

GB/T5729-2003
Fixed resistor used in electronic equipment



外形尺寸 Outline Dimension



规格 Type specification

型号 Type	额定功率 Rated Power (W)	尺寸 Dimensions (mm)						电阻值范围 Resistance Value Range (Ω)		精度 Precision	耐电压 Withstand Voltage (V)
		L1	L2	W	W1	H	D	Min	Max		
RSBH	50	100	90	30	4.5	14	4.5	1	9	±5%-±10%	800
RSBH	60	100	90	30	4.5	14	4.5	1	9	±5%-±10%	800
RSBH	80	130	118	42	6	20	6	1	19	±5%-±10%	800
RSBH	100	130	118	42	6	20	6	1	19	±5%-±10%	800
RSBH	120	182	172	42	6	20	6	1	32	±5%-±10%	800
RSBH	150	182	172	42	6	20	6	1	32	±5%-±10%	800
RSBH	220	230	220	60	4.5	20	4.5	1	49	±5%-±10%	800

波纹电阻器

Wire-wound Resistor

波纹绕线电阻广泛用于变频器制动，起重机械以及负载电阻之用。目前，已在电梯，机床，焊接等机电行业中应用。RXHG-F系列波纹绕线电阻是一种动力导线缠绕电阻，产品使用波形合金带，在陶瓷柜架侧支架上缠绕，表面覆盖有绝缘且耐高温的涂料。它具有散热能力，具有固定支架电阻且具有高电阻，低电阻耐热的能力，易安装。

The Corrugated-winding resistor is widely used in frequency converter braking, lifting machinery and load resistance. At present, it has applied in elevators, machine tools, welding and other electromechanical industries. RXHG-F series cement-coated wire wound resistor is a kind of powerwire wound resistor. The products use undee alloy belt and enwind on ceramic framework side stand, the surface is covered with dope which is insulating and can resistance to high temperature, it is good at emit heat and has the fixing bracket, the resistor has the ability of high power, low resistance,

日本原装进口耐高温漆/同时有环保水性漆可选，不产生任何气味
High temperature resistant paint imported from Japan. envi ro mentally friendly water-based paint is ava lible without any odor.

莫莱石瓷管更坚
Molai stone porcelain pipes are stronger.



接线端采用不锈钢材质，经久耐用，永不生锈
The terminal is made of stainless steel, durable and never rusts.

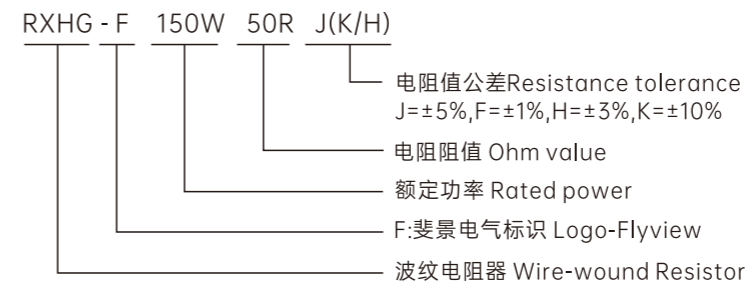
采用环保材料EPE包装，对环境零污染
Adopt enviromental protection material EPE packaging which has zero pollution to the environment.

同规格产品的线径更粗，不易烧断，能承受更大的冲击功率
The wire diameter of the same specification product is thicker and not easy to burn off, able to withstand great impact power.

执行标准 Applicable standards

GB/T5729-2003 电子设备用固定电阻器
GB/T5729-2003 Fixed resistor used in electronic equipment

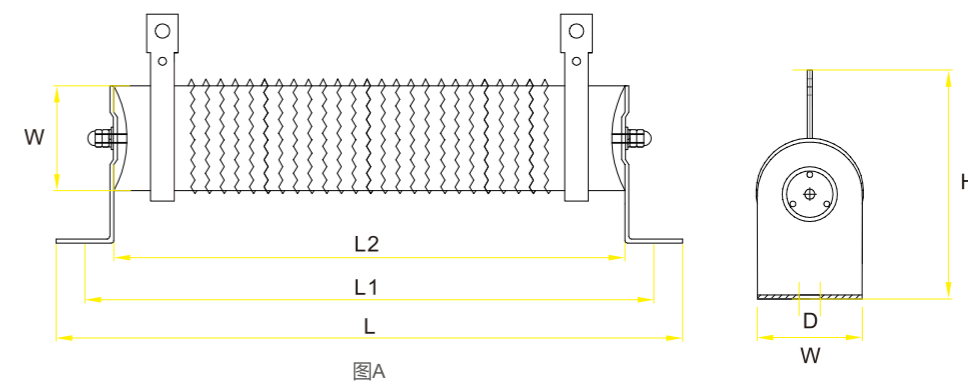
型号说明 Product identification code



产品特点 Product features

功率范围 Power range:
10W-6000W
工作电压范围 Voltage range:
0.5KV-10KV
阻值范围 Resistance range:
0.1R-20KR
电阻丝材料 Temperature coefficient:
OCr25AL5 (高电阻电热合金)

外形尺寸 Outline Dimension



规格 Type specification

型号 Type	额定功率 Rated Power (W)	图号 Figure Number	尺寸 Dimensions (mm)						适配变频器功率 Adaptive Inverter Power (KW)	典型电阻值 Resistance Value (OHM)	重量 Weight (Kg)
			L	L1	L2	D	W	H			
RXHG-F	10-70	图A	134	112	90	6.5	28	62	-	-	-
RXHG-F	≤120		226	204	182	6.5	28	62	0.4-0.75	750	0.2
RXHG-F	150-200		304	282	260	6.5	28	62			0.42
RXHG-F	250-400		239	217	282	8	40	90	2.2-3.7	50	0.56
RXHG-F	500-800		360	338	316	8	50	107	5.5-7.5	75-100	0.84
RXHG-F	1000		350	325	300	8.5	60	119	11	40-50	1.24
RXHG-F	1200		465	440	415	8.5	60	119			1.6
RXHG-F	1500		465	440	415	8.5	60	119	11-15	40	1.6
RXHG-F	2000		560	535	510	8.5	60	119	15-18.5	20-40	2.22
RXHG-F	2500		650	634	600	8.5	60	119			2.5
RXHG-F	3000		650	634	600	8.5	60	119			2.5
RXHG-F	3500		650	634	600	8.5	68	135			3.06
RXHG-F	4000		475	447	415	8.5	100	165	18.5-22	20-32	3.54
RXHG-F	5000		510	482	450	8.5	100	165			4.32
RXHG-F	6000		510	482	450	8.5	100	165			4.32

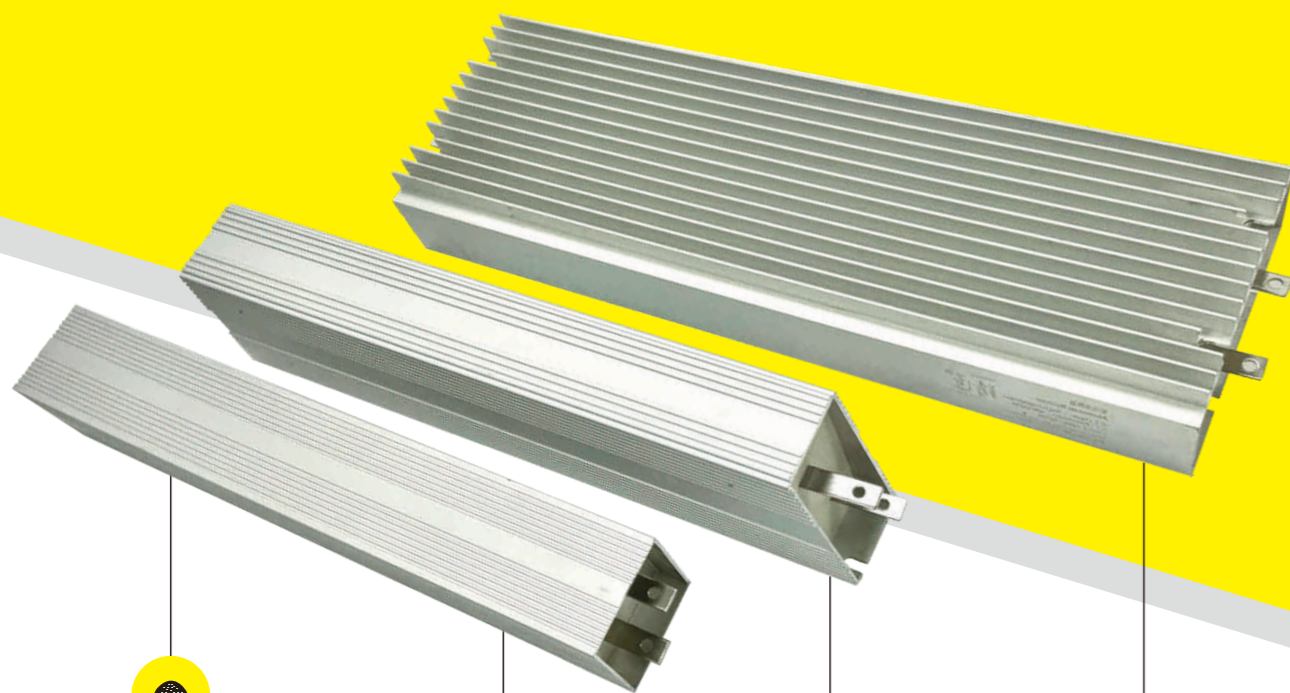
1.绝缘测试条件为2000VDC, 5秒, >5MΩ。
2.耐压测试条件为DC 2000V/1min (特殊要求除外), 无闪烁或击穿。

铝壳电阻器

Aluminum Resistor

铝壳电阻器耐气候性、耐振动、安全性，优于传统瓷骨架电阻。广泛应用于电源、变频器、伺服系统等高要求的电气回路中，并能适用于恶劣的工控环境。易紧密安装，易附加散热器。外形美观，是电力电子理想的配套产品。产品防护等级可达到IP33-IP54。

RXLG-F series resistor with aluminum shell can stand weather resistance, vibration resistance, safety, better than traditional ceramic skeleton resistance. Widely used in electrical circuits of power supply, inverter, servo system of high requirements and can be suitable for harsh environment. They are easy installed, easy added to additional radiator. They have beautiful appearance, which are the ideal accessory products for the electrical and the electronic. The product can reach the grade of IP33-IP54.



我们选用的是全国最优质的石英砂

We use the best quality quartz sand in the country



采用耐温达1300°C的合金丝
Adopt the alloy wire which can withstand 1300 degree



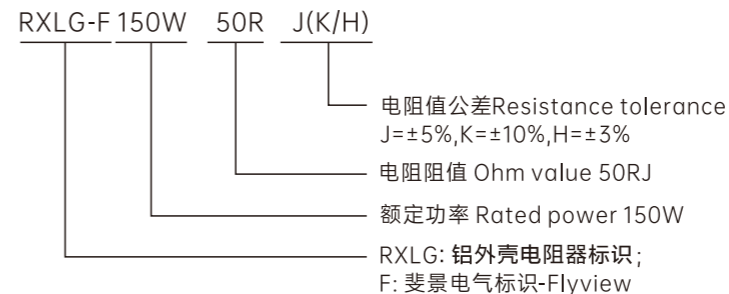
接线端子采用不锈钢材质，经久耐用
The terminal are made of stainless steel which is durable



表面增加散热槽，加大散热面积，电阻器稳定可靠

Increase the heat sink on the surface, expand the heat dissipation area, the resistor is stable and reliable.

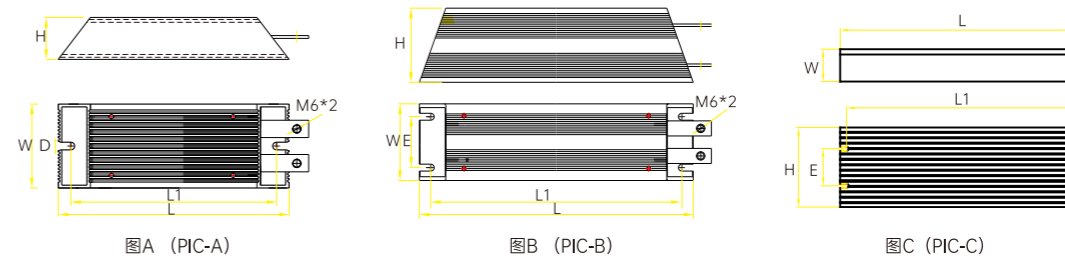
型号说明 Product identification code



产品特点 Product features

- 功率范围 Power range: 10W-5000W
- 工作电压范围 Voltage range: 0.5KV-10KV
- 阻值范围 Resistance range: 0.1R-20KR
- 电阻丝材料 Temperature coefficient: OCr25AL5 (高电阻电热合金)

外形尺寸 Outline Dimension



规格 Type specification

型号 Type	额定功率 Rated Power (W)	图号 Figure Number	尺寸 Dimensions (mm)					配线 Connecting Wire (mm)	引线长度 Lead Length (mm)	适配变频器功率 Adaptive Inverter Power (KW)	典型电阻值 Resistance Value (OHM)	重量 Weight (Kg)
			L	L1	L2	D	W					
RXLG-F	50-60	图A	115	98	40	20	5.5	1.5	250	0.4-0.75	750	0.18
RXLG-F	80		140	123	40	20	5.5	1.5	250			0.19
RXLG-F	100		165	148	40	20	5.5	1.5	250			0.22
RXLG-F	120		190	173	40	20	5.5	1.5	250	1.5	390	0.26
RXLG-F	150		215	197	40	20	5.5	1.5	250			0.28
RXLG-F	200		165	147	60	30	5.5	2.0	250	2.2-3.7	150	0.46
RXLG-F	300		215	197	60	30	5.5	2.0	250			0.60
RXLG-F	400		265	247	60	30	5.5	2.0	250	5.5	100	0.76
RXLG-F	500		335	317	60	30	5.5	2.0	250			1.02
RXLG-F	800		400	382	60	30	5.5	2.5	端子型引线型	7.5	75	1.20
RXLG-F	800	400	382	61	59	41	2.5	端子型引线型	1.30			
RXLG-F	1000	400	384	50	102	30	2.5	端子型引线型	11	40-50	3.52	
RXLG-F	1200	450	434	50	102	30	2.5	端子型引线型			3.72	
RXLG-F	1500	485	470	50	102	30	4	端子型引线型	11-15	40	4.22	
RXLG-F	2000	550	532	50	102	30	4	端子型引线型	15-18.5	20-40	5.16	
RXLG-F	2500	550	532	50	102	30	4	端子型引线型			5.16	
RXLG-F	3000	550	532	50	102	30	6	端子型引线型	18.5-22	20-32	5.16	
RXLG-F	3500-4000	700	686	50	102	30	6	端子型引线型			5.92	
RXLG-F	2500	310	293	61	150	70	6	端子型引线型	15-18.5	20-40	4.76	
RXLG-F	3000	350	334	61	150	70	6	端子型引线型			5.16	
RXLG-F	4000	460	444	61	150	70	6	端子型引线型	18.5-22	20-32	5.92	
RXLG-F	5000	500	482	61	150	70	6	端子型引线型			6.50	

1.绝缘测试条件为2000VDC, 5秒, >5MΩ。
2.耐压测试条件为DC 2000V/1min (特殊要求除外), 无闪烁或击穿。

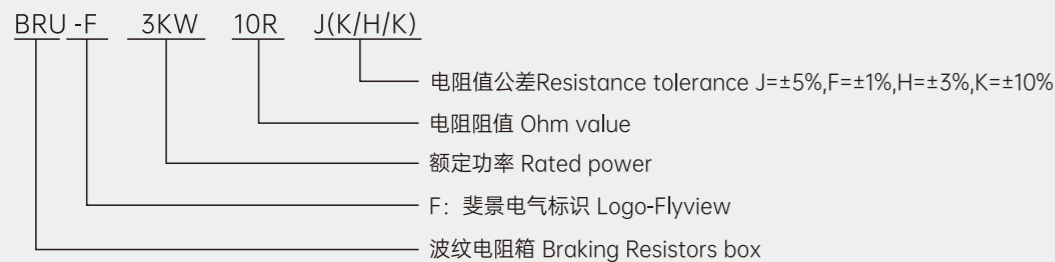
制动电阻箱

Braking Resistors Box



- 镀锌板** Galvanized sheet
- EPE环保材料包装, 对环境零污染** EPE environmentally friendly material packaging, zero pollution to the environment
- 无需喷粉** No powder spraying required
- 端子为铜材质, 载流更大** The terminals are made of copper and carry more current
- 不易生锈** Not easy to rust
- 节能环保** Energy saving and environmental protection
- 电阻箱电阻功率更大, 耐大电流冲击性更好** The resistance box has greater resistance power and better resistance to large current impact

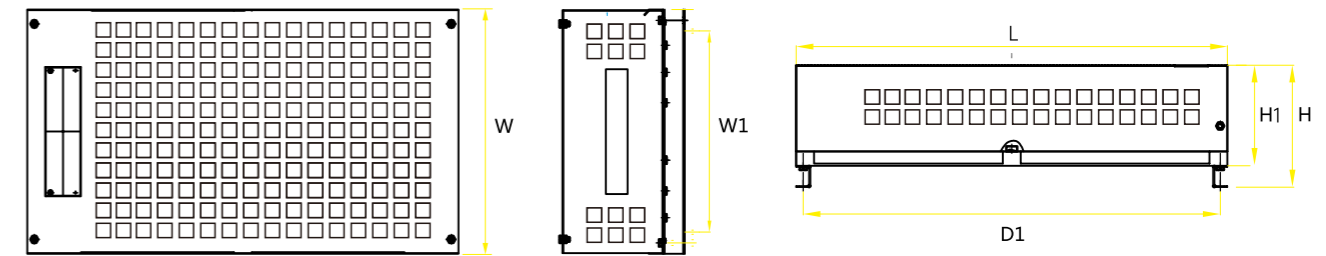
型号说明 Product identification code



BRU-F电阻箱系列产品是由波纹电阻器或铝合金外壳电阻器组合而成的, 适用于大功率, 大电流的制动设备, 试验测试设备, 电梯, 起重, 港机, 轧机, 轨道交通, 发动机变频器的能耗制动回路中。工作电压直流500V-3000V, 额定功率1KW-30KW。

The BRU-F series of products are resistor boxes that are assembled with wire Resistors or Aluminum Alloy shell resistors. They are applicable to power-consuming circuits of inverter for braking equipment with large rated power and current, testing equipment, elevator, crane, rolling mill, port machine, rail transit and Engine frequency converter energy consumption braking circuits. Its operating voltage is 500V-2000V DC and rated power ranges from 1KW to 30KW.

外形尺寸 Outline Dimension



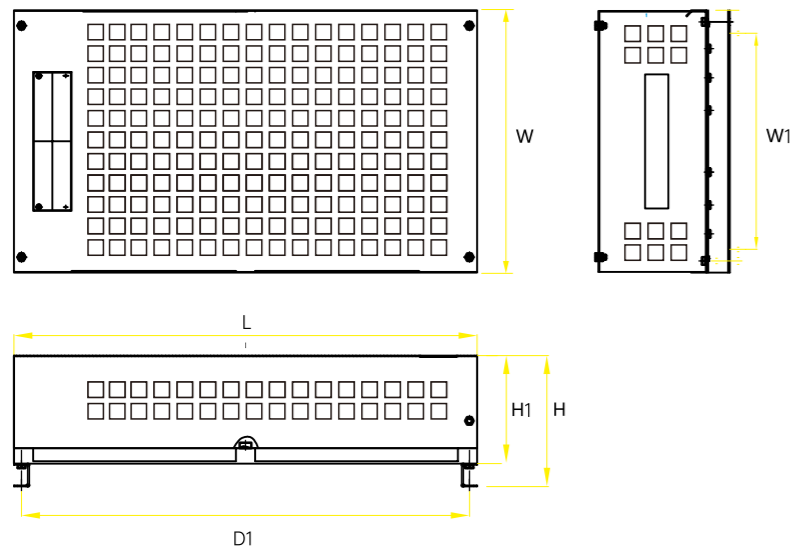
规格 Type specification (BRU-F系列)

型号 Type	额定功率 Rated Power (kW)	尺寸 Dimensions (mm)						端子 Terminals	重量 Weight (kg)	配线 Cable (mm)	组合 Combination	耐电压 Withstand Voltage (V)
		L	W	H	H1	D1	W1					
BRU-F	1	430	109	150	-	403	70	M4	6	2.5	1KW*1	2000
BRU-F	1.5	430	109	150	-	403	70	M4	6.2	2.5	1.5KW*1	2000
BRU-F	2	500	280	170	145	480	210	M4	6.5	2.5	1KW*2	2000
BRU-F	3	500	280	170	145	480	210	M4	8	2.5	1KW*3	2000
BRU-F	4.5	580	340	170	145	560	285	M4	12.5	4	1.5KW*3	2000
BRU-F	6	580	340	170	145	560	285	M4	14.5	4	1.5KW*4	2000
BRU-F	8	680	410	170	145	665	340	M6	17	6	2KW*4	2000
BRU-F	10	680	410	170	145	665	340	M6	18.6	6	2KW*5	2000
BRU-F	15	680	410	170	145	665	340	M6	34	10	3KW*5	2000
BRU-F	20	680	410	340	145	665	340	M6	39	10	10KW*2	2000
BRU-F	30	680	410	340	145	665	340	M6	39	10	15KW*2	2000

电气性能 Electrical parameters 电阻箱特性 Resistance Box Characteristics

电元件	Electrical components	线绕电阻 Wirewound resistors
箱体材质	Box material	镀锌板/不锈钢 Galvanized sheet/Stainless steel
功率范围	Range of rated power	0.5KW-20KW
电压范围	Range of voltage	0.5KV-3KV
阻值范围	Range of resistance	1Ω-1KΩ
耐压	Voltage resistance	DC 2000V/1min (特殊要求除外), 无闪烁或击穿 DC 2000V/1min (except for special requirements), no flicker or breakdown
绝缘	Insulating	2.5KV-5KV/1min 50Hz
IP 等级	IP class	IP20(百叶窗可选); 需要高防护等级请说明订制 If you need a high level of protection, please specify the order
振动	Vibration	0.5g
额定温升	Rated temperature rise	375°C
温漂	Temperature drift	80ppm°C - 400ppm°C
载流体材料	Carrier material	0Cr25AL5//Ni80Cr20

外形尺寸 Outline Dimension



执行标准
Applicable standards

GB/T5729-2003
电子设备用固定电阻器
GB/T5729-2003
Fixed resistor used in electronic equipment

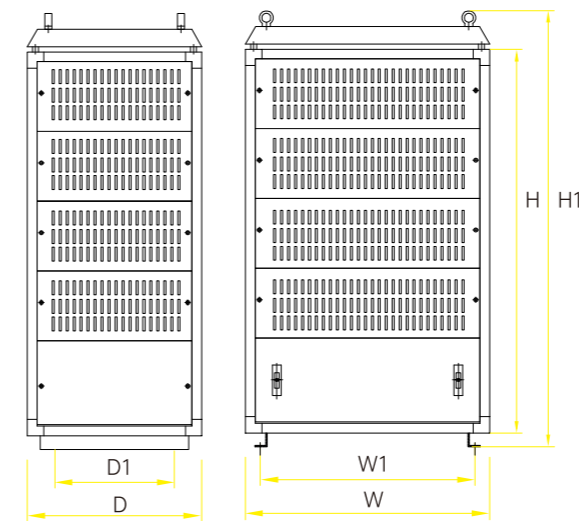
规格 Type specification (BRU-L系列大功率)

型号 Type	额定功率 Rated Power (KW)	尺寸 Dimensions (mm)						端子 Terminals	组合 Combination (KW)	耐电压 Withstand Voltage (V)
		L	W	H	H1	D1	W1			
BRU-L	8-12	650	320	200	170	630	220	M6	(4-6)*2	2000
BRU-L	19-24	650	600	200	170	630	495	M6	(5-6)*4	2000
BRU-L	24-36	650	460	370	340	630	355	M6	(5-6)*6	2000
BRU-L	37-48	650	600	400	370	630	495	M6	(5-6)*8	2000

电气性能 Electrical parameters 电阻箱特性 Resistance Box Characteristics

电元件	Electrical components	线绕电阻 Wirewound resistors
箱体材质	Box material	镀锌板/不锈钢 Galvanized sheet/Stainless steel
功率范围	Range of rated power	8KW-72KW
电压范围	Range of voltage	0.5KV-3KV
阻值范围	Range of resistance	0.1Ω-100KΩ
耐压	Voltage resistance	DC 2000V/1min (特殊要求除外), 无闪烁或击穿 DC 2000V/1min (except for special requirements), no flicker or breakdown
绝缘	Insulating	2000VDC, 5秒, >5MΩ
IP 等级	IP class	IP20(百叶窗可选); 需要高防护等级请说明订制 If you need a high level of protection, please specify the order
振动	Vibration	0.5g
额定温升	Rated temperature rise	375°C
温漂	Temperature drift	80ppm°C - 400ppm°C
载流体材料	Carrier material	0Cr25Al5//Ni80Cr20

外形尺寸 Outline Dimension



大功率变频器适配直流负载柜

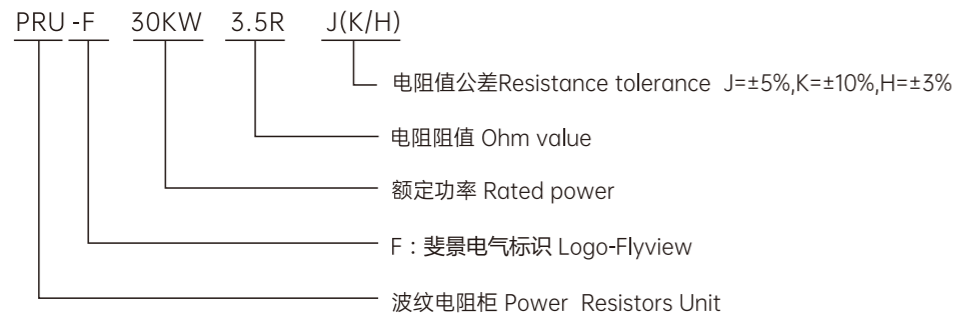


PRU-F系列是由波纹电阻器组成的电阻柜，可应用于具有大额度功率和工作电流的制动设备测试设备、电梯和起重机的变频器的失电制动回路。PRU-F系列大功率电阻柜又称为大功率负载电阻柜，可满足大功率、大电压或大电流等电气参数，可配置电子数显方式，可生产固定式、可调式、无极可调方式。广泛应用于电源设备，电池测试，变频器，电梯，亚弧焊机，起重机械，建筑机械，轧机，拉线机，离心机，UPS电源，脉冲负载应用，卷扬机，发电机，变压器，起动、制动、调速和负载试验以及医疗，汽车，工业控制环境等。

PRU-F series is resistor cabinet that is made up of wire wound resistors and can be applied to the power loss braking circuits for inverters of braking equipment testing equipment ,elevator and crane with large rated power and operating current. PRU-F series high -power resistance cabinet ,also known as high-power load resistance cabinet , can meet electrical parameters such as high power , high voltage or high current. It can be configured with electronic digital display mode and produce fixed ,adjustable and stepless adjustable. Widely used in Power equipment , Battery testing, Frequency converters, Elevators, Argon welding machines, Lifting machinery, Construction machinery, Rolling mill, Wire pulling machine ,Centrifugal machine, UPS power supply , Pulse load application , Hoist, Generator, Transformer, Start-up , Braking, speed regulation and load test, as well as medical, automotive, industrial control environment, etc.

制动电阻柜
Power Resistors Unit

型号说明 Product identification code



规格 Type specification (PRU-F系列)

型号 Type	额定功率 Rated Power (KW)	尺寸 Dimensions (mm)						端子 Terminals	重量 Weight (kg)	配线 Cable (mm)	组合 Combination
		L	W	H	H1	D1	W1				
PRU-F	20	700	500	700	850	342	615	M6	55	10	8*2.5KW
PRU-F	30	700	500	700	850	342	615	M6	75	16	12*2.5KW
PRU-F	40	700	500	700	850	342	615	M6	90	25	16*2.5KW
PRU-F	50	700	500	900	1050	342	615	M6	110	25	20*2.5KW
PRU-F	60	700	500	1100	1050	342	615	M6	135	35	24*2.5KW
PRU-F	70	700	500	1100	1250	342	615	M6	148	35	28*2.5KW
PRU-F	80	700	500	1300	1450	342	615	M6	169	50	32*2.5KW
PRU-F	100	700	500	1500	1650	342	615	M6	190	50	40*2.5KW
PRU-F	120	700	500	1800	1950	342	615	M6	225	50	48*2.5KW
PRU-F	200	1400	500	1500	1650	342	615	M6	300	75	2*100KW

电气性能 Electrical parameters 电阻箱特性 Resistance Box Characteristics

电元件	Electrical components	线绕电阻 Wirewound resistors
箱体材质	Box material	镀锌板/不锈钢 Galvanized sheet/Stainless steel
功率范围	Range of rated power	20KW-300KW
电压范围	Range of voltage	0.5KV-3KV
阻值范围	Range of resistance	0.5Ω-1KΩ
耐压	Voltage resistance	DC 2000V/1min (特殊要求除外), 无闪烁或击穿 DC 2000V/1min (except for special requirements), no flicker or breakdown
绝缘	Insulating	2000VDC, 5秒, >5MΩ
IP等级	IP class	IP20(百叶窗可选); 需要高防护等级请说明订制 If you need a high level of protection, please specify the order
振动	Vibration	0.5g
额定温升	Rated temperature rise	375°C
温漂	Temperature drift	80ppm°C - 400ppm°C
载流体材料	Carrier material	0Cr25Al5//Ni80Cr20



中性点接地柜
Neutral Grounding Resistor

中性点接地电阻适用于50(.60)Hz高压输配电系统，用于连接变压器或发电机中性点与大地之间的可限制接地电流或漏电流至预先设定的范围的一种保护型电器。由于城市电网的发展，电缆线路的比例逐年增多，导致对地电容电流增加，如果中性点按不接地方式，则发生单相接地故障时，过电压倍数增高，容易发展成相间短路的损坏电器设备。当电力系统出现故障时(例如电网部分短路或开路等)，配电系统中性点将产生偏移，此时中性点接地电阻将配电系统中性点强制接地，并限制其故障电流，使电力系统有时间进行检测、诊断、保护和切换，从而避免了线路或设备可能遭受的损坏。

Neutral earth resistor is a protective electrical appliance to connect the limitable earth current or leakage current between the neutral point and the ground of the transformer or the generator to the set range, applicable to 50(.60)Hz high voltage power transmission and distribution system. With the development of the urban power grid, the proportion of cable wires increases year after year resulting in earth capacitor current is increased. In case the neutral point is earth-free, and the single phase faults occurs, then the multiple of over-voltage shall increase, easily causing the inter-phase short circuit, and damage to the electric appliances. In case the power system fails (just like short circuit or open circuit of the grid, etc), then the neutral point of the transmission and distribution system will shift. Meanwhile, the neutral earth resistor shall force the neutral point of the distribution system to earth and, limit the fault current, so that there is the time to make inspection, diagnosis, protection and switchover to the power system to avoid possibly damage of the wires or equipment.

规格 Type specification

型号 Type	系统额定电压 Reated Systemvoltage (KV)	额定电压 Rated Voltage (KV)	短时允许通流 Short Time Permitted Current (A)	短时通流时间 Short Timepower-on Time	标称阻值 Nomindl Resistance Ω (± 5%)
FVGR6.0-100-10	6	3.46	100	10	34.6
FVGR6.0-200-10	6	3.46	200	10	17.3
FVGR6.0-400-10	6	3.46	400	10	8.6
FVGR6.0-600-10	6	3.46	600	10	5.7
FVGR6.3-100-10	6.3	3.46	100	10	36.4
FVGR6.3-200-10	6.3	3.46	200	10	18.2
FVGR6.3-400-10	6.3	3.46	400	10	9.01
FVGR6.3-600-10	6.3	3.46	600	10	6
FVGR10-200-10	10	5.77	200	10	28.9
FVGR10-400-10	10	5.77	400	10	14.4
FVGR10-600-10	10	5.77	600	10	9.6
FVGR10-1000-10	10	5.77	1000	10	5.77
FVGR20-400-10	20	11.5	400	10	28.7
FVGR20-600-10	20	11.5	600	10	19.2
FVGR20-1000-10	20	11.5	1000	10	11.5
FVGR35-400-10	35	20	400	10	50
FVGR35-600-10	35	20	600	10	33.3
FVGR35-800-10	35	20	800	10	25
FVGR35-1000-10	35	20	1000	10	20
FVGR35-1250-10	35	20	1250	10	16
FVGR35-1600-10	35	20	1600	10	12.5
FVGR35-2000-10	35	20	2000	10	10
FVGR66-1000-10	66	38	1000	10	38
FVGR66-1250-10	66	38	1250	10	30.4
FVGR66-1600-10	66	38	1600	10	23.7
FVGR66-2000-10	66	38	2000	10	19

中性点接地电阻在电力输配电系统正常工作时电流很少，而当电力系统发生故障时，流过中性点接地电阻的电流很大，时间很短，它通常用于短时工作制，时间一般分为3秒、6秒、10秒、30秒之间，其电阻时温可≤760K(IEEE-32标准)，它的电压、电阻和电流等参数视输出配电系统的情况而定。中性点接地电阻设计标准按ANSI/IEEEStd32和IEC289以及其它相关标准。

The current of the neutral earth resistor is low when the power transmission and distribution system works normally. However, when the power system fails, the current to the neutral earth resistor is high with short time, usually used in the short time work system, about 3,6,10,30 seconds. The instantaneous temperature rise of the resistor is no more than 760 (IEEE-32), and the voltage, resistance and current depend on the conditions of the power transmission and distribution system. The design standard of the neutral earth resistor is in accordance with ANSI/IEEEStd32, IEC289 and other relevant standards.

ZX18 不锈钢电阻器

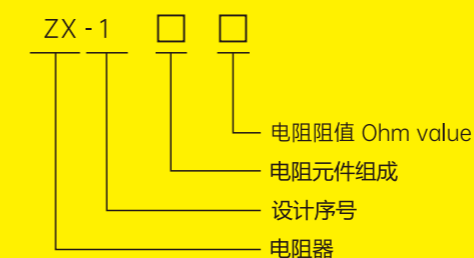
Zx18 Stainless Steel Resistor

ZX18不锈钢电阻器适用于交流50Hz电压1140V及直流电压1000V的电路，主要作为电动机启动，制动与调速。产品配RS,RT,RK,RQ,RP,RY,RZ起重机作为整电阻器。

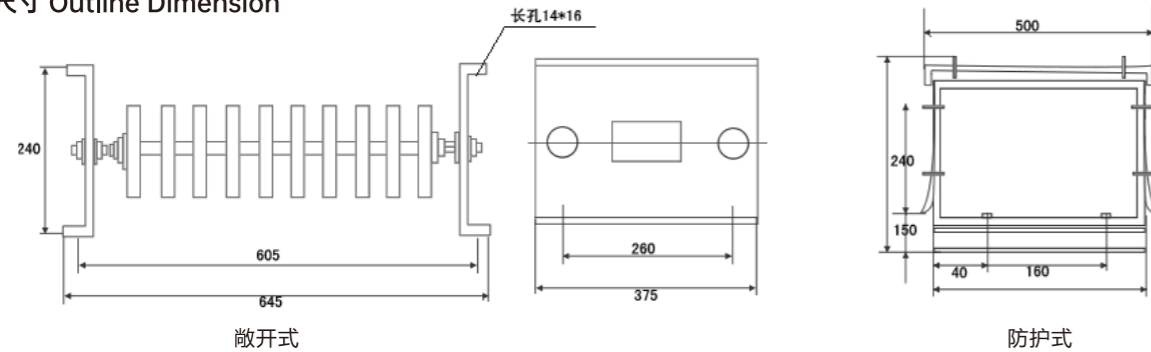
Zx18 stainless steel resistor is suitable for the circuit of AC 50Hz voltage 1140V and Dc voltage 1000v. It is mainly used for motor start-up, braking and speed regulation. The product is equipped with RS, RT, RK,RQ, RP, RY, RZ cranes as adjustment resistors.



型号说明 Product identification code



外形尺寸 Outline Dimension



规格 Type specification (PRU-F系列)

型号 Type	额定电流 Rated Current (A)	总阻值 Total Resistance	分段阻值 Segment Resistance					元件型号 Component Type	数量 Quantity	替换原电阻器型号 Replacement of original resistor model
			1	2	3	4	5			
ZX18-0.1	237	0.1	0.02	0.02	0.02	0.02	0.02	ZH-1-1	20	Zx1 ZX9 ZX12 Zx15
ZX18-0.14	200	0.14	0.028	0.028	0.028	0.028	0.028	ZH-1-2		
ZX18-0.2	167	0.2	0.04	0.04	0.04	0.04	0.04	ZH-1-3		
ZX18-0.28	141	0.28	0.056	0.056	0.056	0.056	0.056	ZH-1-4		
ZX18-0.4	118	0.4	0.08	0.08	0.08	0.08	0.08	ZH-1-5		
ZX18-0.56	100	0.56	0.112	0.112	0.112	0.112	0.112	ZH-1-6		
ZX18-0.8	84	0.8	0.16	0.16	0.16	0.16	0.16	ZH-1-7		
ZX18-1.1	71	1.1	0.22	0.22	0.22	0.22	0.22	ZH-1-8		
ZX18-1.6	59	1.6	0.32	0.32	0.32	0.32	0.32	ZH-1-9		
ZX18-2.2	50	2.2	0.44	0.44	0.44	0.44	0.44	ZH-2-1		
ZX18-3	43	3	0.6	0.6	0.6	0.6	0.6	ZH-2-2		
ZX18-4.2	37	4.2	0.84	0.84	0.84	0.84	0.84	ZH-2-3		
ZX18-5.6	32	5.6	1.12	1.12	1.12	1.12	1.12	ZH-2-4		
ZX18-8	27	8	1.6	1.6	1.6	1.6	1.6	ZH-2-5		
ZX18-11	23	11	2.2	2.2	2.2	2.2	2.2	ZH-2-6		
ZX18-16	19	16	3.2	3.2	3.2	3.2	3.2	ZH-2-7		
ZX18-2	53	2	0.4	0.4	0.4	0.4	0.4	ZH-3-1		
ZX18-2.5	47	2.5	0.5	0.5	0.5	0.5	0.5	ZH-3-2		
ZX18-3.3	41	3.3	0.66	0.66	0.66	0.66	0.66	ZH-3-3		
ZX18-4	37	4	0.8	0.8	0.8	0.8	0.8	ZH-3-4		
ZX18-5	34	5	1	1	1	1	1	ZH-3-5		
ZX18-6.6	29	6.6	1.32	1.32	1.32	1.32	1.32	ZH-3-6		
ZX18-7	28	7	1.4	1.4	1.4	1.4	1.4	ZH-3-7		
ZX18-9	25	9	1.8	1.8	1.8	1.8	1.8	ZH-3-8		
ZX18-11	23	11	2.2	2.2	2.2	2.2	2.2	ZH-3-9		
ZX18-14.5	20	14.5	2.9	2.9	2.9	2.9	2.9	ZH-3-10		
ZX18-19.5	17	19.5	3.9	3.9	3.9	3.9	3.9	ZH-3-11		
ZX18-28	14	28	5.6	5.6	5.6	5.6	5.6	ZH-3-12		
ZX18-35	13	35	7	7	7	7	7	ZH-3-13		
ZX18-44	11	44	8.8	8.8	8.8	8.8	8.8	ZH-3-14		
ZX18-58	9.8	58	11.6	11.6	11.6	11.6	11.6	ZH-3-15		
ZX18-80	8.4	80	16	16	16	16	16	ZH-3-16		

FAS 不锈钢电阻器

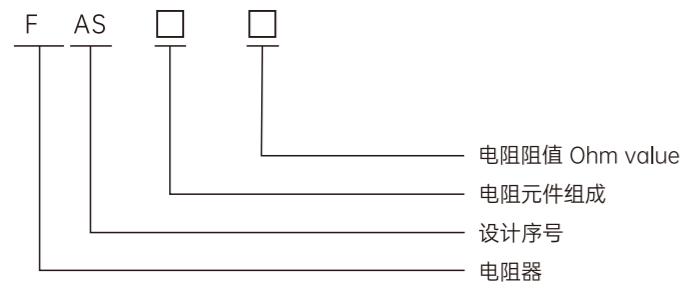
FAS Stainless Steel Resistor



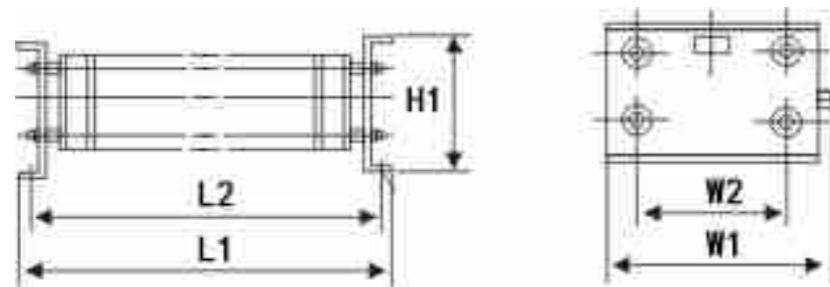
FAS系列不锈钢电阻器适用于交流50Hz,电压至660V及直流电压至440V的电路中, 主要用作电动机的起动制动与速电阻之用, 其单箱额定容量为5KW-10KW。

FAS series stainless steel resistors are suitable for AC 50Hz, voltage up to 660V and DC voltage up to 440V circuits, mainly used as starting braking and speed regulating resistors for motors, and the rated capacity of a single box is 5KW-10KW

型号说明 Product identification code



外形尺寸 Outline Dimension



规格 Type specification (FAS series)										
型号 Type	额定功率 Rated Power (W)	尺寸 Dimensions (mm)					电阻值范围 Resistance Value Range		精度 Precision	耐电压 Withstand Voltage
		L1	W1	H1	L2	W2	MIN	MAX		
FAS	5KW	645	420	200-240	605	260	0.01Ω	50Ω	±5%-±10%	2000V
FAS	10KW	960	420	200-240	920	260	0.01Ω	100Ω	±5%-±10%	2000V
FAS	20KW	960	420	400(480)	920	260	0.01Ω	200Ω	±5%-±10%	2000V

L2/W2 为安装孔尺寸



Stainless steel resistor FASseries

FAS 不锈钢电阻器

负载柜

Load Cabinet

发电机组智能测试系统，常规容量2MW~40MW。做为大容量测试，室外、室内使用，运输方便考虑，采用专用集装箱式设计。箱体采用型钢，坚固耐用，并喷漆处理，外形美观，具有遮阳、防雨、防盗功能，噪音小，带载能力强，多项指标优于进口产品。

Generator set intelligent test system, conventional capacity 2MW~40MW.As a large-capacity test, outdoor, indoor use, easy to transportation, adopt special container design. The box body is made of steel which is used solidly and painted. It has beautiful appearance, with shading, rain prevention, anti-theft function,small noise, strong load capacity, a number of indicators are better than imported products.





光伏发电用多档位直流测试柜

三相交流测试柜

内部接线图

技术要求 Technical Requirement

额定电压 rated voltage	DC120V、270V、330V
额定电流 rated current	可调, 范围 adjustable extent 30A ~ 600A 并要求电压120V时: 电流调出 And the voltage 120V: Current is turned out of 60A\100A\120A\180A\200A\240A\300A\400A500A\600A 电压270V时: 电流调出 And the voltage 270V: Current is turned out of 50A\100A\150A\200A\300A\450A\600A 电压330V时: 电流调出 And the voltage 330V: Current is turned out of 50A\100A\150A\200A\250A\300A\350A\400A
负载性质 Load properties	纯阻性 pure resistance
电流调节 Current regulation	三种电压都满足1A-600A all three voltages meet 1A-600A
负载误差/电压精度/电压分 Load error/voltage accuracy/voltage resolution	±5% / 0.5% / 0.5V;
电流档位配置 Current gear configuration	1A 2A 2A 5A 10A 20A 20A 50A 100A*5, 计13档, 3路共计39档 A total of 13 files, 3 road a total of 39 files
控制系统 Control system	控制箱设备有3路电流档位开关, 每个电压对应一路开关 the control box equipment has three current gear switches, each voltage corresponds to one switch
散热方式 Heat dissipation mode	强制风冷 forced air cooling
显示系统 Display system	LED数字电流表、电压表 LED digital ammeter, voltmeter
设备供电 Equipment power supply	380V三相交流 380V three-phase AC
工作方式 Working style	长期连续工作 long-term continuous work
工作环境 Working environment	室内 indoor

制动单元

Brake Unit



关键元器件均采用原装进口

Key components are all imported



材料好 产品才好

Good materials make good products



性能稳定

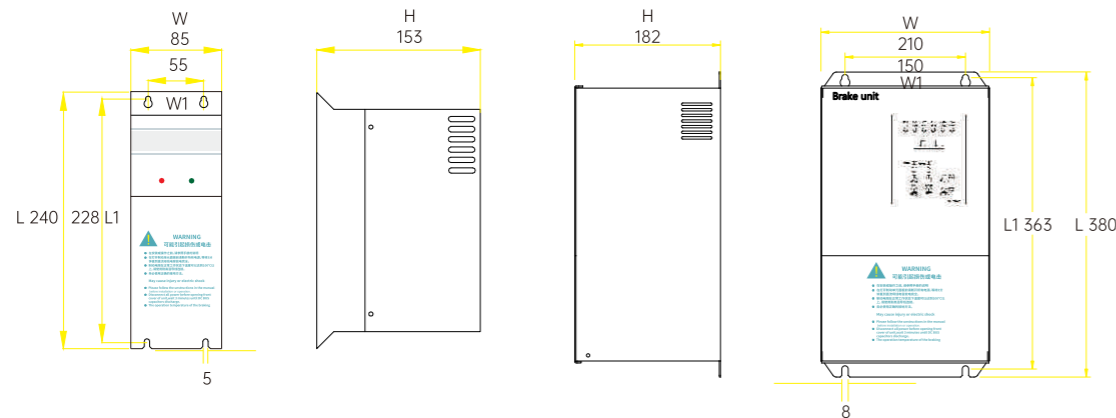
Stable performance



当变频器减速停机时, 电动机会处于发电状态,变频器直流母线电压升高到一定值时, 制动单元自动打开制动功能, (即接通制动电阻) 通过电阻消耗掉这些能量。CDBR-F系列是制动单元在可再生能源, 能耗过程中为电机减速, 采用制动电阻、变频器的形式实现制动性能, 缩短变频器制动时间。适用于所有变频器的流量过热IGBT故障报警输出功能是最安全的制动模块。

When the frequency converter slows down and stops, the motor will be in the generating state. When the DC bus voltage of the frequency converter rises to a certain value, the brake unit will automatically open the braking function, (i. e. connect the brake resistance) and consume the energy through the resistance. CDBR-F series is the role of brake units for motor slowdown in the process of renewable energy,energy consumption in the form of braking resistor,a frequency converter to the braking performance and shorten the inverter braking time .Apply to all inverter with the flow overheating IGBT breakdown alarm output function is the safest brake modules.

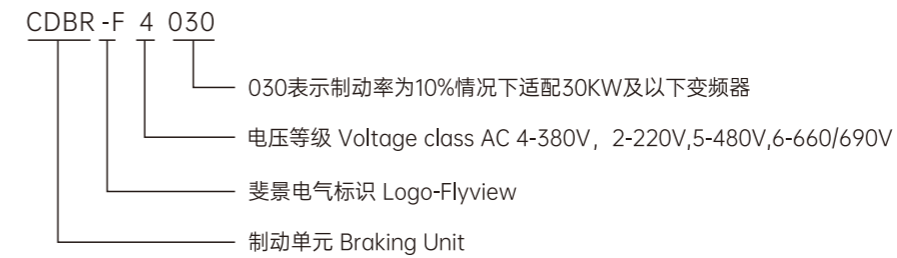
外形尺寸 Outline Dimension



产品特点 Product features

制动起始电压(V) Braking starting voltage (V)	(200V级) 斩波电压为DC 280V - DC 400V之间电压任意调整, 特定机型为跳线帽调节(DC320/DC340/DC360/DC380(±10V),5档可调)。 (400V级) 斩波电压为DC 600V - DC 760V之间电压任意调整, 特定机型为跳线帽调节(DC630/DC660/DC690/DC730/DC760(±10V),5档可调)。 (500V级) 斩波电压为DC 720V - DC 920V之间电压任意调整。 (700V级) 斩波电压为DC 900V - DC 1200V之间电压任意调整。 (200V Class) The chopping voltage is DC 280V - DC 400V, the voltage can be adjusted arbitrarily, specific models require jumper cap adjustment (DC320/DC340/DC360/DC380/(±10V),5 adjustable). (400V Class) The chopping voltage is DC 600V - DC 760V, the voltage can be adjusted arbitrarily, specific models require jumper cap adjustment(DC630/DC660/DC730/DC760(±10V),5 adjustable). (500V Class) The chopping voltage is DC 720V - DC 920V the voltage can be adjusted arbitrarily. (700V Class) The chopping voltage is DC 900V - DC 1200V the voltage can be adjusted arbitrarily.
最大回滞误差 Maximum hysteresis error	约16V About 16V
同步信号 Synchronization signal	不限台数并机 Unlimited number of parallel machines
散热器过热保护 Radiator overheat protection	温度开关+85°C Temperature switch +85 °C
故障输出 Fault output	RELAY接点0.6A、250VAC/2A、30VDC(Ta,Tb,Tc) (某些机型不带故障输出点) RELAY contact 0.6A, 250VAC/2A, 30VDC(Ta,Tb,Tc) (some models do not have fault output points)
风机工作温度 Fan operating temperature	模块温度超过45°C时风机开始工作 (某些机械不带风扇, 以实物为准) When the module temperature exceeds 45° C, the fan starts to work. (Some machines do not have a fan).
环境温度 Ambient temperature	-10°C ~ +40°C(无冰冻) -10°C ~ +40°C(no freezing)
存储温度 Storage temperature	-10°C~+50°C
湿度 Humidness	90%RH(无凝霜) 90%RH(no condensation cream)
振动 Vibration	10~20HZ为1G, 20 ~ 50HZ可达 (can reach) 0.2G

型号说明 Product identification code



规格 Type specification

型号 Type	额定电流 Rated Current (A)	峰值电流 Crest Current (A)	最小阻值 Minimum Resistance (Ω)	尺寸 Dimensions (mm)					端子 Terminals	导线 Wires (mm ²)
				L	W	H	L1	W1		
CDBR-F2015	15	50	10.0	240	85	153	228	55	M4	2.5
CDBR-F2022	25	75	6.8	240	85	153	228	55	M4	2.5
CDBR-F2030	28	85	5.0	240	85	153	228	55	M4	4.0
CDBR-F2045	30	90	4.5	240	85	153	228	55	M4	4.0
CDBR-F2055	33	100	3.8	380	210	182	363	150	M8	6.0
CDBR-F2075	40	120	3.2	380	210	182	363	150	M8	6.0
CDBR-F2090	50	150	2.7	380	210	182	363	150	M8	10.0
CDBR-F2160	70	200	2.0	380	210	182	363	150	M8	10.0
CDBR-F4015	10	30	25.0	240	85	153	228	55	M4	2.5
CDBR-F4022	13	40	22.0	240	85	153	228	55	M4	2.5
CDBR-F4030	15	50	20.0	240	85	153	228	55	M4	2.5
CDBR-F4045	25	75	13.6	240	85	153	228	55	M4	4.0
CDBR-F4055	30	85	12.0	240	85	153	228	55	M4	4.0
CDBR-F4075	33	100	10.0	240	85	153	228	55	M4	6.0
CDBR-F4090	40	120	9.0	240	85	153	228	55	M4	6.0
CDBR-F4075H	33	100	10.0	380	210	182	363	150	M8	6.0
CDBR-F4090H	40	120	9.0	380	210	182	363	150	M8	6.0
CDBR-F4110	50	150	6.8	380	210	182	363	150	M8	10.0
CDBR-F4160	70	200	5.0	380	210	182	363	150	M8	16.0
CDBR-F4110H	50	150	6.8	380	210	182	363	150	M8	10.0
CDBR-F4160H	70	200	5.0	380	210	182	363	150	M8	16.0
CDBR-F4220	85	300	3.3	380	210	182	363	150	M8	35.0
CDBR-F4400	150	450	2.5	380	210	182	363	150	M8	50.0
CDBR-F4600	167	500	1.5	380	210	182	363	150	M8	50.0
CDBR-F6110	35	100	15.0	380	210	182	363	150	M8	10.0
CDBR-F6220	70	200	5.5	380	210	182	363	150	M8	16.0
CDBR-F6300	85	300	3.8	380	210	182	363	150	M8	35.0
CDBR-F6400	120	400	2.9	380	210	182	363	150	M8	50.0
CDBR-F6600	167	500	2.4	380	210	182	363	150	M8	50.0

区别于同型号非H款, 带H为带风机强制风冷。

回馈单元

Energy Recuperation Unit

UPU系列回馈节能装置系斐景电气采用最新电力电子技术推出新一代回馈节能装置，可广泛应用于电梯，工厂，油田，港口码头等领域，与变频器配合使用起到节能降耗的效果。

UPU series feedback energy saving device is a new generation of feedback energy saving device launched by Flyview Electric using the latest power electronic technology, which can be widely used in elevators, factories, oil fields, ports and other fields, and cooperate with frequency converter to achieve energy saving and consumption reduction effect.

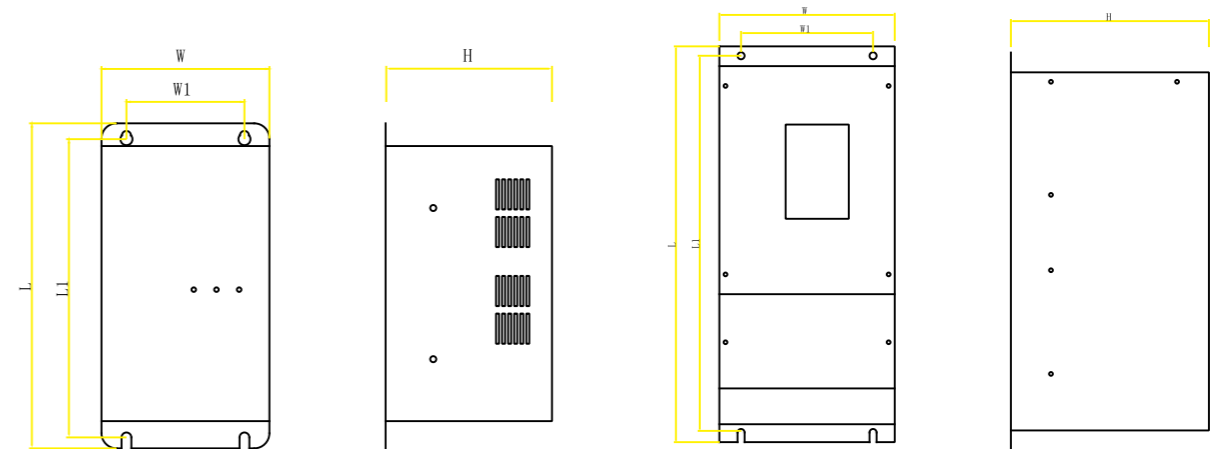


应用范围 Applied range

- 电梯节能改造与电梯厂配套
- 离心机、工业洗衣机等惯性机械的节能改造与设备配套
- 煤矿等矿山提升机的节能改造与设备配套
- 油田抽油机的节能改造
- 测功机等测试设备配套

Elevator energy-saving transformation and elevator factory supporting
 Centrifuge, industrial washing machine and other inertial machine energy-saving transformation and equipment matching
 Energy-saving transformation and equipment matching of coal mine and other mine hosters
 Energy-saving transformation of the oilfield pumping unit
 Power ometer and other test equipment

外形尺寸 Outline Dimension



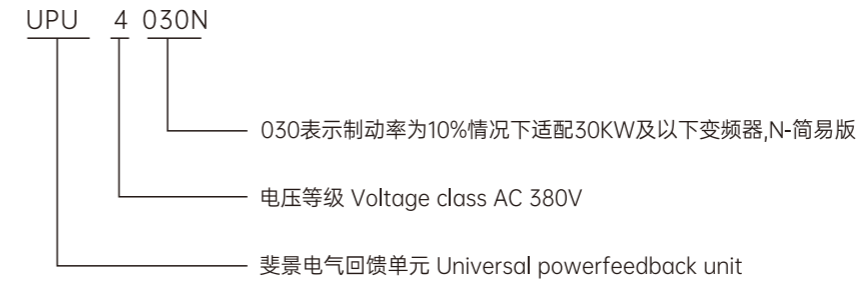
产品特点 Product features

电源 power supply	电网电压(VAC) Grid voltage (VAC)	220V/380V/460V/660V±10%
	电网频率(Hz) Grid frequency(Hz)	45Hz ~ 65Hz
控制方式 Control Mode	回馈电流控制模式 Feedback Current Control Mode	120°正弦波回馈电流控制 120° sine wave feedback current control
	电流环控制模式 Current Loop Control Mode	直接电流控制(DCC) Direct Current Control (DCC)
	电压环控制模式 Voltage Loop Control Mode	直流母线电压预测控制 DC Bus Voltage Prediction Control
	相序相位控制 Phase sequence phase control	电网相序自动检测，相位检测锁相环(PLL)控制 Power grid phase sequence automatic detection, phase detection phase-locked loop (PLL) control
	回馈动作电压 Feedback action voltage	随电网电压自动调节或手动跳线设置 Automatically adjust according to grid voltage or manually set jumper
	散热模式 Cooling Mode	强制风冷 Forced air cooling
	风扇控制模式 Fan Control Mode	温度自动控制启停 Temperature automatic control start and stop
保护功能 Protection function	过载、过流、欠压、过压、过热保护 Overload, overcurrent, undervoltage, overvoltage, overheating protection	

产品特点 Product features

接口 Cable Connector	模拟输入端口 Analog input port	0 ~10VDC, 回馈电流控制 0 ~10VDC, feedback current control
	模拟输出端口 Analog output port	0 ~10VDC, 回馈电流指示 0 ~10VDC, feedback current indication
	数字输入端口 Digital input port	光耦隔离输入, 回馈启停指示 Optocoupler isolation input, feedback start and stop indication
	数字输出端口 Digital output port	250V/3A常开常闭触点各1个, 出厂默认设置用于 故障告警指示 250V/3A normally open and normally closed contacts, 1 each, factory default setting for fault alarm indication
	显示功能 Display functions	15个监控参数、5个状态指示 15 monitoring parameters, 5 status indicators
通信 Communication Interface	硬件接口 Hardware Interface	RS485通信接口 RS485 communication interface
	通信协议 Communication Protocol	Modbus RTU模式 Modbus RTU Mode
运行环境 Running environment	安装场所 Installation location	室内、海拔不大于1000m, 无阳光直射, 无导电性粉尘及腐蚀性气体 Indoors, altitude not more than 1000m, no direct sunlight, no conductive dust and corrosive gas
	环境温度 Ambient temperature	-10°C ~ 40°C, 通风良好 -10°C ~ 40°C, good ventilation
	环境湿度 Ambient humidity	90%RH以下 (不结露) 90% RH or less (no condensation)
	振动 vibration	1.0G以内, <20Hz; 0.2G以内, 20Hz ~ 50Hz Within 1.0G, <20Hz; Within 0.2G, 20Hz ~ 50Hz

型号说明 Product identification code



规格 Type specification

电压等级 Voltage grade (V)	型号 Model	工作频度 Duty cycle	最大电流 Max Current (A)	最大适配功率 Maximum Adaptable Power (KW)
200 等级	UPU2011	25%	24	11
	UPU2015	25%	30	15
	UPU2018	25%	37	18
	UPU2022	25%	45	22
	UPU2030	25%	75	30
	UPU2037	25%	85	37
400 等级	UPU4011	25%	14	11
	UPU4015	25%	18	15
	UPU4018	25%	22	18.5
	UPU4022	25%	27	22
	UPU4030	25%	33	30
	UPU4037	25%	44	37
600 等级	UPU4045	25%	50	45
	UPU6030	40%	26	30
	UPU6037	40%	32	37
	UPU6045	40%	40	45
	UPU6055	40%	48	55
	UPU6075	40%	65	75
	UPU6090	40%	79	90
	UPU6110	40%	97	110
	UPU6132	40%	116	132
	UPU6160	40%	142	160
UPU6220	40%	194	220	
UPU6300	40%	265	300	

单相控制变压器

Single-phase Control Transformer

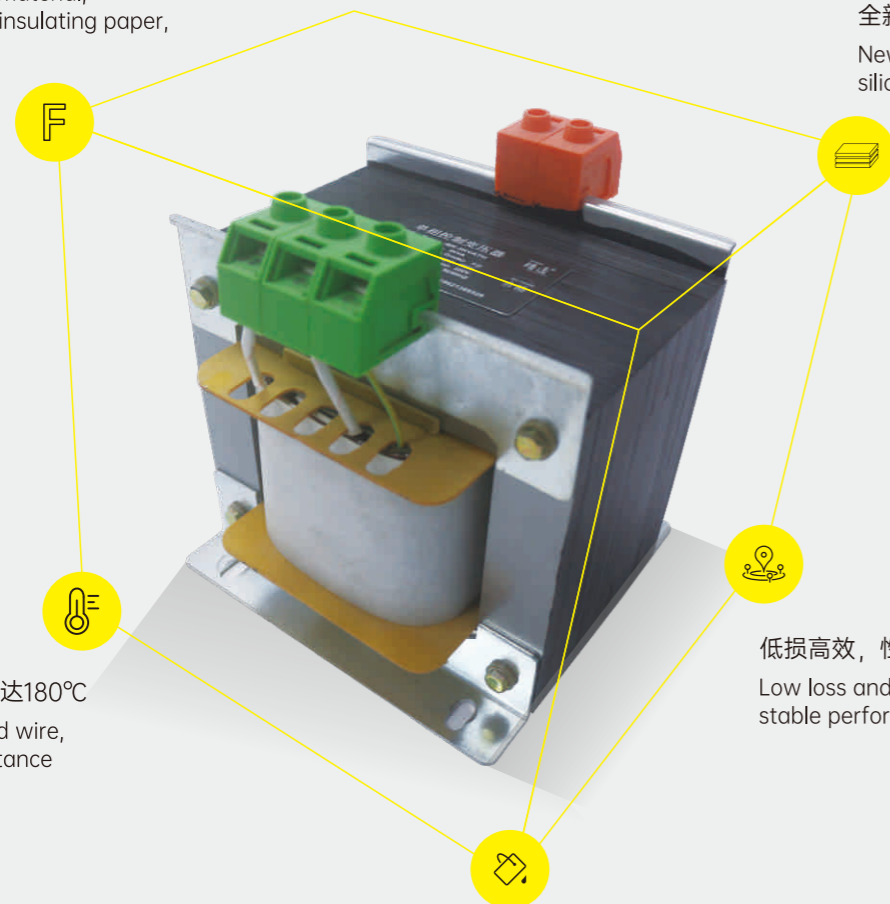
电压变换、电流变换、阻抗变换、隔离、稳压（磁饱和变压器）等。

Voltage transformation, current transformation, impedance transformation, isolation, voltage stabilization (magnetic saturation transformer), etc.

F级绝缘材料，美国杜邦绝缘纸，绝缘胶带

Class F insulating material, American DuPont insulating paper, insulating tape

全新上海宝钢硅钢片
New Shanghai Baosteel siliconsteel sheet

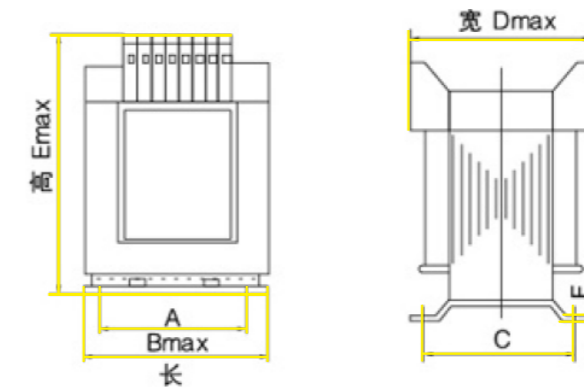


H级漆包线，耐温达180°C
Class H enamel wire, temperature resistance up to 180. C

低损高效，性能稳定
Low loss and high efficiency, stable performance

支架烤漆，线包真空浸漆
Bracket paint, wire package vacuum dipping

外形尺寸 Outline Dimension



规格 Type specification					
型号 Type	外形尺寸 Dimension (mm)			安装尺寸 Installation Dimensions (mm)	
	L	W	H	W	D
BK-25VA	78	65	90	56	50
BK-50VA	84	74	98	64	60
BK-100VA	96	85	105	85	65
BK-150VA	102	85	108	76	71
BK-200VA	102	92	108	76	77
BK-250VA	114	101	140	90	85
BK-300VA	114	106	140	90	90
BK-400VA	132	108	165	102	90
BK-500VA	132	120	165	102	102
BK-1KVA	150	140	170	120	115
BK-1.5KVA	150	160	170	120	130
BK-2KVA	180	180	195	130	140
BK-3KVA	192	190	200	140	155
BK-5KVA	230	210	270	170	160
JBK-63VA	78	65	85	56	53
JBK-100VA	84	84	95	64	70
JBK-160VA	96	92	110	85	75
JBK-250VA	96	104	110	85	87
JBK-400VA	120	100	130	90	85
JBK-630VA	150	108	170	122	90
JBK-800VA	150	130	170	120	105
JBK-1KVA	150	135	170	122	105
JBK-1.7KVA	168	160	185	130	108
JBK-2KVA	168	170	195	170	145
JBK-5KVA	228	205	260	170	145

三相隔离变压器

Three-phase Isolation Transformer

电压变换、电流变换、阻抗变换、隔离、稳压（磁饱和变压器）等。

Voltage transformation, current transformation, impedance transformation, isolation, voltage stabilization (magnetic saturation transformer), etc.

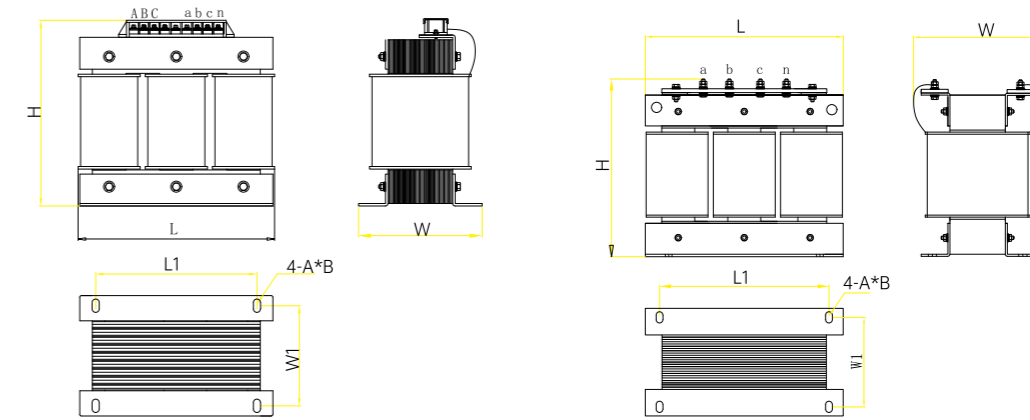


型号说明 Product identification code



低压三相干式变压器（铝） FVSAF series low-voltage three phase dry-type transformer

外形尺寸 Outline Dimension



图一 PIC-1

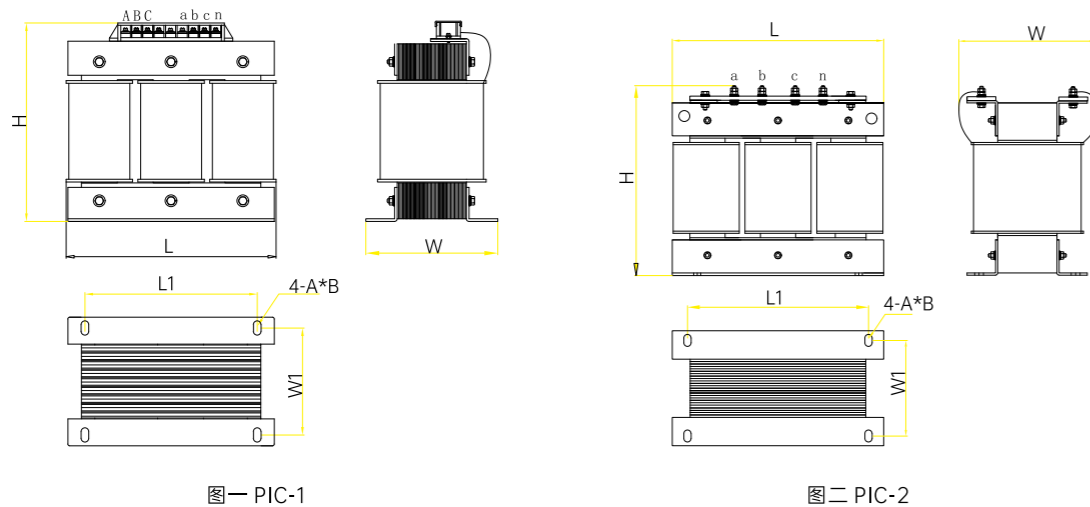
图二 PIC-2

规格 Type specification

型号 Type	图号 Figure Number	绝缘等级 Insulation Grade	尺寸 Dimensions (mm)				
			L(max)	W(max)	H(max)	L1(max)	W1(max)
FVSAF1KVA	图一 PIC-1	F、H	195	155	200	120	98
FVSAF2KVA		F、H	245	185	260	210	125
FVSAF3KVA		F、H	245	190	260	210	140
FVSAF4KVA		F、H	270	190	280	230	148
FVSAF5KVA		F、H	300	195	310	240	140
FVSAF6KVA		F、H	300	195	310	240	140
FVSAF8KVA		F、H	365	220	370	260	140
FVSAF10KVA		F、H	365	240	370	260	160
FVSAF12KVA		F、H	365	240	370	260	160
FVSAF15KVA		F、H	430	260	425	350	166
FVSAF20KVA		F、H	430	280	425	350	186
FVSAF25KVA		F、H	480	280	425	400	190
FVSAF30KVA		F、H	480	280	425	400	190
FVSAF40KVA		F、H	480	300	435	400	210
FVSAF50KVA		F、H	700	300	560	450	235
FVSAF60KVA	图二 PIC-2	F、H	710	305	570	450	235
FVSAF80KVA		F、H	730	360	580	480	240
FVSAF100KVA		F、H	650	400	700	420	350
FVSAF125KVA		F、H	830	500	700	520	300
FVSAF200KVA		F、H	800	450	800	500	400
FVSAF300KVA		F、H	1155	580	900	670	370
FVSAF400KVA		F、H	1250	600	1000	670	450
FVSAF500KVA		F、H	1300	620	1200	700	480

低压三相干式变压器 (铜)
FVSCF series low-voltage three phase dry-type transformer

外形尺寸 Outline Dimension



图一 PIC-1

图二 PIC-2

规格 Type specification							
型号 Type	图号 Figure Number	绝缘等级 Insulation Grade	尺寸 Dimensions (mm)				
			L(max)	W(max)	H(max)	L1(max)	W1(max)
FVSCF1KVA	图一 PIC-1	F、H	195	155	200	120	98
FVSCF2KVA		F、H	245	185	260	210	125
FVSCF3KVA		F、H	245	190	260	210	140
FVSCF4KVA		F、H	270	190	280	230	148
FVSCF5KVA		F、H	300	190	300	180	130
FVSCF6KVA		F、H	300	195	310	240	140
FVSCF8KVA		F、H	365	220	370	260	140
FVSCF10KVA		F、H	365	220	370	215	150
FVSCF12KVA-13KVA		F、H	365	240	370	215	160
FVSCF15KVA		F、H	430	260	425	250	166
FVSCF20KVA		F、H	430	280	425	250	190
FVSCF25KVA		F、H	480	280	425	400	190
FVSCF30KVA		F、H	480	280	425	400	190
FVSCF40KVA		F、H	480	300	435	400	210
FVSCF50KVA		F、H	700	300	560	450	235
FVSCF60KVA		图二 PIC-2	F、H	710	305	570	450
FVSCF80KVA	F、H		730	360	580	480	240
FVSCF100KVA	F、H		650	400	700	420	350
FVSCF125KVA	F、H		830	500	700	520	300
FVSCF200KVA	F、H		800	450	800	500	400
FVSCF300KVA	F、H		1155	580	900	670	370
FVSCF400KVA	F、H		1250	600	1000	670	450
FVSCF500KVA	F、H		1300	620	1200	700	480

串联电抗器

Series Reactor



全新上海宝钢硅钢片
New Shanghai Baosteel siliconsteel sheet



F级绝缘材料, 美国杜邦绝缘纸, 绝缘胶带
Class F insulating material, American DuPont insulating paper, insulating tape



H级漆包线, 耐温达180°C
Class H e name led wire, temperature resistance up to 180. C



支架烤漆, 线包真空浸漆
Bracket paint, wire package vacuum dipping

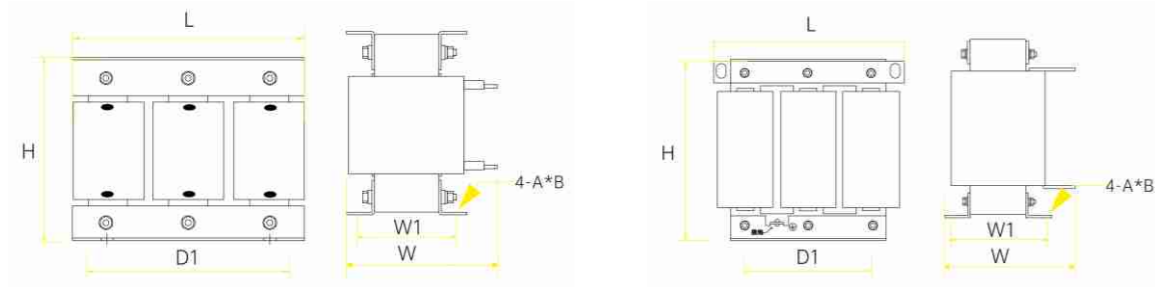


噪音小, 温升低, 性能稳定
Low noise, low temperature rise, stable performance

串联电抗器, 它的作用是与功率因数补偿电容器串联。通常有电抗率4.5~6%电抗器, 对5次谐波通常电抗率为6%~7%, 对3次谐波通常电抗率为12~14%。接入串联电抗器, 能有效地吸收电网谐波, 改善系统的电压波形, 提高系统的功率因数, 并能有效地抑制合闸涌流及操作过电压, 有效地保护了电容器。

Series reactor, its function is to connect with power factor compensation capacitor in series. Usually there is a reactor with a reactance rate of 4.5 ~ 6%, for the 5th harmonic, the reactance rate is usually 6%~7%, for the 3rd harmonic, the reactance rate is usually 12 ~ 14% . Connecting the series reactor can effectively absorb the grid harmonics, improve the voltage waveform of the system, increase the power factor of the system, and can effectively suppress the closing in rush current and operating overvoltage, effectively protecting the capacitor.

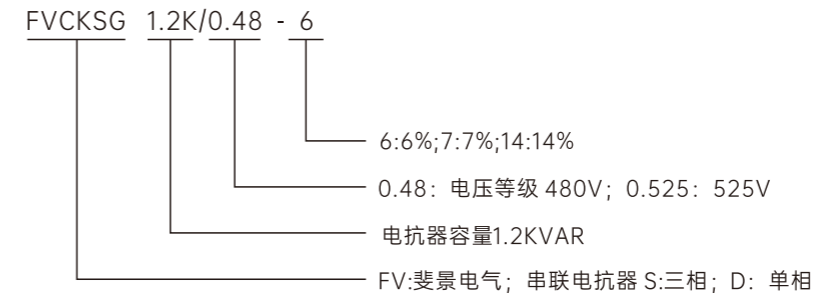
外形尺寸 Outline Dimension



图一 PIC-A

图二 PIC-B

型号说明 Product identification code



规格 Type specification

型号 Type	图号 Figure Number	导体 材质 Material	电容容量 Capacitance Capacity (Kvar)	电抗器容量 Reactance Capacity (Kvar)	额定电流 Rated Current (A)	电感量 Inductance (mH)	尺寸 Dimensions (mm)					
							L(max)	W(max)	H(max)	D1±2	D2±2	W1±3
三相系统电压480VAC 6%电抗器率												
FVCKSG-0.6K/0.48-6	图一 PIC-1	铝	10	0.6	13	3.6	195	150	180	120	64	72
FVCKSG-0.9K/0.48-6		铝	15	0.9	20	2.6	195	190	200	120	64	92
FVCKSG-1.2k/0.48-6		铝	20	1.2	26	1.95	195	190	200	120	64	92
FVCKSG-1.4k/0.48-6		铝	20	1.4	26	1.95	195	190	200	120	64	92
FVCKSG-1.8K/0.48-6		铝	30	1.8	40	1.28	260	190	190	182		105
FVCKSG-2.4K/0.48-6		铝	40	2.4	52	0.97	260	190	190	182		105
FVCKSG-3.0K/0.48-6		铝	50	3	65	0.78	295	210	220	214		108
FVCKSG-3.6K/0.48-6		铝	60	3.6	78	0.65	295	220	220	214		118
FVCKSG-4.8K/0.48-6	图二 PIC-2	铝	80	4.8	105	0.48	295	230	250	214		127
FVCKSG-5.4K/0.48-6		铝	90	5.4	118	0.43	295	230	290	214		127
FVCKSG-6.0K/0.48-6		铝	100	6	130	0.38	320	245	310	243		130
FVCKSG-7.2K/0.48-6		铝	120	7.2	155	0.33	320	260	310	243		145
三相系统电压480VAC 7%电抗器率												
FVCKSG-0.7K/0.48-7	图一 PIC-1	铝	10	0.7	13	4.5	195	180	180	120	64	92
FVCKSG-1.05K/0.48-7		铝	15	1.05	20	3	195	190	200	120	64	92
FVCKSG-1.4k/0.48-7		铝	20	1.4	26	2.25	195	190	200	120	64	92
FVCKSG-2.1K/0.48-7		铝	30	2.1	40	1.5	260	200	190	182		104
FVCKSG-2.8K/0.48-7		铝	40	2.8	52	1.13	260	210	190	182		115
FVCKSG-3.5K/0.48-7		铝	50	3.5	65	0.9	295	210	220	214		108
FVCKSG-4.2K/0.48-7		铝	60	4.2	78	0.75	295	230	220	214		128
FVCKSG-5.6K/0.48-7		铝	80	5.6	105	0.56	295	230	220	214		132
FVCKSG-6.3K/0.48-7	图二 PIC-2	铝	90	6.3	118	0.5	295	250	300	214		137
FVCKSG-7.0K/0.48-7		铝	100	7	130	0.45	320	230	300	243		140
FVCKSG-8.4K/0.48-7		铝	120	8.4	155	0.37	320	250	300	243		150

规格 Type specification

型号 Type	图号 Figure number	导体 材质 Material	电容容量 Capacitance capacity (Kvar)	电抗器容量 Reactance capacity (Kvar)	额定电流 Rated current (A)	电感量 Inductance (mH)	尺寸 Dimensions (mm)					
							L(max)	W(max)	H(max)	D1±2	D2±2	W1±3
三相系统电压525VAC 14%电抗器率												
FVCKSG-1.4K/0.525-14	图一 PIC-1	铝	10	1.4	13	9	195	190	200	120	64	105
FVCKSG-2.1K/0.525-14		铝	15	2.1	20	6	260	200	190	182		105
FVCKSG-2.8k/0.525-14		铝	20	2.8	26	4.5	260	210	190	182		115
FVCKSG-4.2K/0.525-14		铝	30	4.2	40	3	295	220	220	214		118
FVCKSG-5.6K/0.525-14	图二 PIC-2	铝	40	5.6	52	2.25	295	230	220	214		128
FVCKSG-7.0K/0.525-14		铝	50	7	65	1.8	320	250	280	243		130
FVCKSG-8.4K/0.525-14		铝	60	8.4	78	1.5	320	260	280	243		140
FVCKSG-11.2K/0.525-14		铝	80	11.2	105	1.12	365	280	290	260		175
FVCKSG-12.6K/0.525-14		铝	90	12.6	118	1	365	280	320	260		175
FVCKSG-14.0K/0.525-14		铝	100	14	130	0.9	365	280	320	260		175
FVCKSG-16.8K/0.525-14		铝	120	16.8	155	0.75	395	290	320	260		185

备注: 其他规格尺寸, 可根据用户要求设计生产。

三相交流输入输出电抗器

Three-phase AC Input And Output Reactor

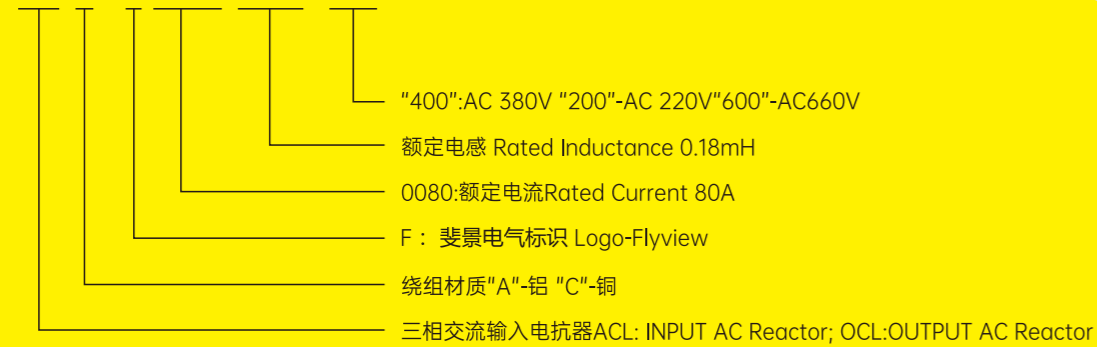
交流输入电抗器安装于变频器的输入侧，有效的降低浪涌和峰值电流，提高输入电源的功率因数，抑制电网谐波，改善输入电流波形。

AC Input reactor installs on the input side of converters, reduct inrush&peak current; improve the real power tactor; Restrain the grid harmon ics; Improve the input current waveform.



型号说明 Product identification code

ACL -A F 0080 -0M18 - 400



全新上海宝钢硅钢片
New Shanghai Baosteel silicon steel sheet

支架烤漆，线包真空浸漆
Bracket paint, wire package vacuum dipping

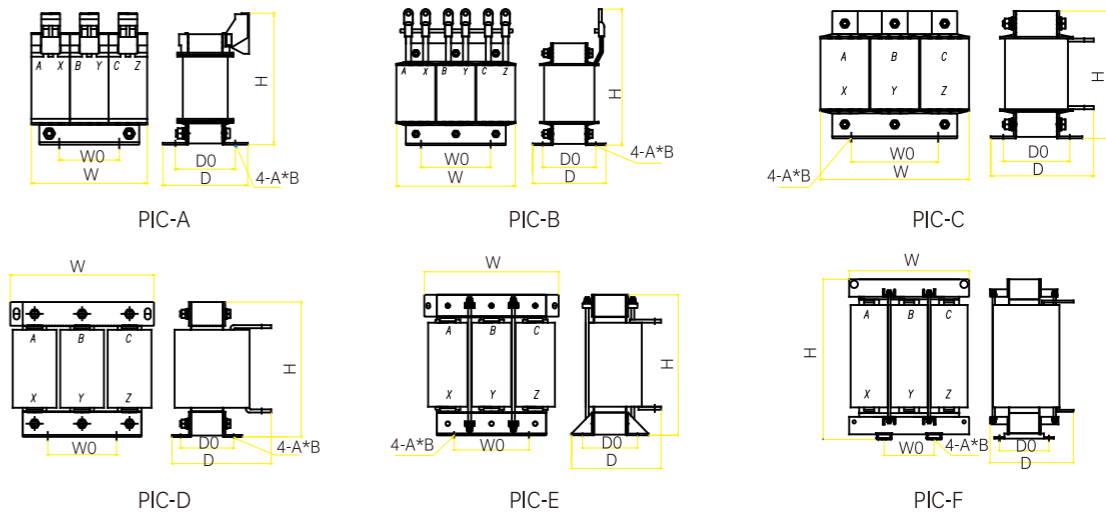
H级漆包线，耐温达180°C
Class H e name led wire, temperature resistance up to 180. C

噪音小，温升低，性能稳定
Low noise, low temperature rise, stable performance

F级绝缘材料，美国杜邦绝缘纸，绝缘胶带
Class F insulating material, American DuPont insulating paper, insulating tape

ACL-F/OCL-F系列 三相交流输入输出电抗器 (2%压降)

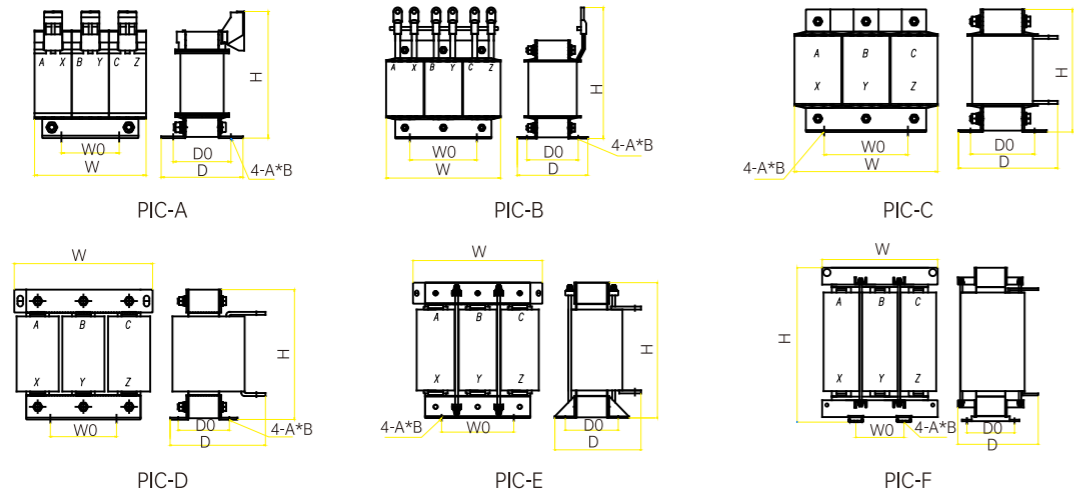
外形尺寸 Outline Dimension



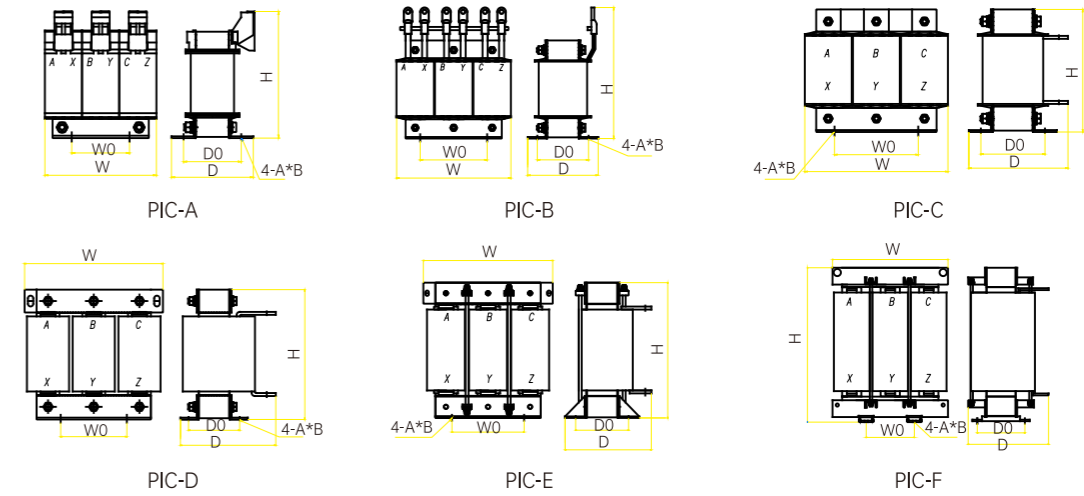
规格 Type specification

电抗器型号 Type	图号 Figure Number	变频器功率 Inverter Power (KW)	额定电流 Rated Current (A)	电感量 Inductance (mH)	重量 Weight (Kg)	尺寸 Dimensions (mm)					
						W	D	H	W0	D0	A*B
ACL-AF0005-2M80-400	A	2.2	5	2.80	1.5	93	69	110	40	48	7*11
ACL-AF0010-1M40-400		3.7	10	1.40	2.6	115	73	125	50	53	7*11
ACL-AF0015-0M93-400		5.5	15	0.93	2.8	115	73	125	50	53	7*11
ACL-AF0020-0M70-400		7.5	20	0.70	2.9	115	73	125	50	53	7*11
ACL-AF0030-0M47-400	B	11	30	0.47	5.3	150	95	160	60	67	7*11
ACL-AF0040-0M35-400		15	40	0.35	5.6	150	95	160	60	67	7*11
ACL-AF0050-0M28-400	E	18.5	50	0.28	5.7	180	110	160	80	67	7*11
ACL-AF0060-0M23-400		22	60	0.23	5.8	180	110	160	80	67	7*11
ACL-AF0080-0M18-400		30	80	0.18	8.5	180	130	160	80	87	7*11
ACL-AF0090-0M16-400		37	90	0.16	8.9	180	130	160	80	87	7*11
ACL-AF0120-0M12-400		45	120	0.12	9.2	180	130	160	80	87	7*11
ACL-AF0150-093U-400		55	150	0.093	14.5	230	160	220	110	85	9*18
ACL-AF0200-070U-400		75	200	0.070	15.2	230	160	220	110	85	9*18
ACL-AF0230-061U-400		90	230	0.061	19.5	230	175	220	110	100	9*18
ACL-AF0250-056U-400		110	250	0.056	20.8	230	175	220	110	100	9*18
ACL-AF0290-048U-400		132	290	0.048	27.6	260	185	265	140	110	9*18
ACL-AF0330-042U-400	160	330	0.042	29.2	260	185	265	140	110	9*18	
ACL-AF0400-035U-400	C	200	400	0.035	35.4	300	205	280	170	110	11*18
ACL-AF0560-025U-400		250	560	0.025	47.3	300	230	280	170	135	11*18
ACL-AF0600-023U-400		280	600	0.023	48.7	300	230	280	170	135	11*18
ACL-AF0660-021U-400		315	660	0.021	50.1	300	230	280	170	135	11*18
ACL-AF0800-17U5-400		400	800	0.0175	69.1	360	255	375	190	135	13*26
ACL-AF1000-14U0-400	D	500	1000	0.0140	74.8	360	255	375	190	135	13*26
ACL-AF1200-11U7-400		560	1200	0.0117	98	430	305	410	240	175	14*28
ACL-AF1600-08U8-400		630	1600	0.0088	100	430	305	410	240	175	14*29

ACL_F系列 三相交流输入电抗器 (4%压降)
外形尺寸 Outline Dimension



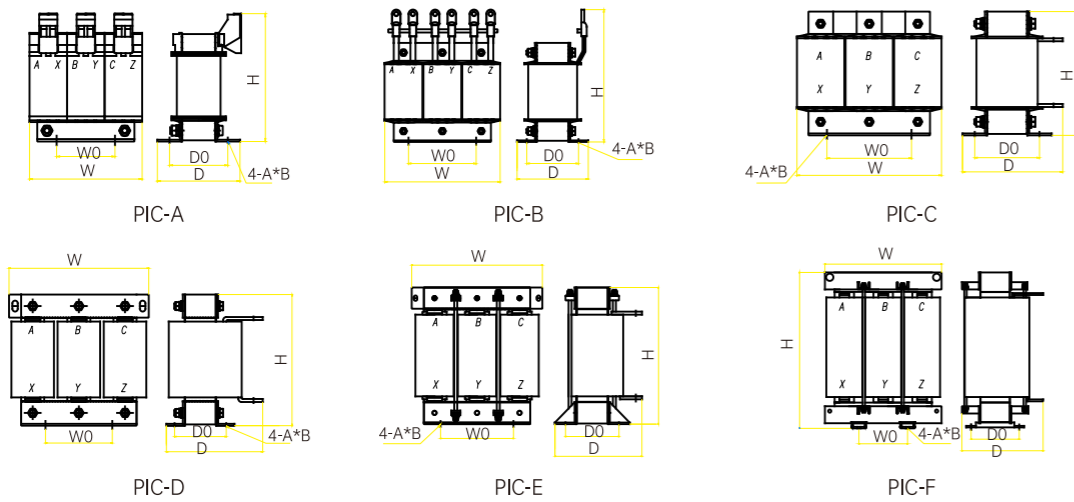
OCL-AF系列 三相交流输出电抗器 (1%压降 铝)
外形尺寸 Outline Dimension



规格 Type specification												
电抗器型号 Type	图号 Figure Number	变频器功率 Inverter Power (KW)	额定电流 Rated Current (A)	电感量 Inductance (mH)	重量 Weight (Kg)	尺寸 Dimensions (mm)						
						W	D	H	W0	D0	A*B	
ACL-AF0005-5M61-400	A	2.2	5	5.61	1.5	93	69	110	40	48	7*11	
ACL-AF0010-2M80-400		3.7	10	2.80	2.6	115	73	125	50	53	7*11	
ACL-AF0015-1M87-400		5.5	15	1.87	2.8	115	73	125	50	53	7*11	
ACL-AF0020-1M40-400		7.5	20	1.40	2.9	115	73	125	50	53	7*11	
ACL-AF0030-0M93-400	B	11	30	0.93	5.3	150	95	160	60	67	7*11	
ACL-AF0040-0M70-400		15	40	0.70	5.6	150	95	160	60	67	7*11	
ACL-AF0050-0M56-400	E	18.5	50	0.56	5.7	180	110	160	80	67	7*11	
ACL-AF0060-0M47-400		22	60	0.47	5.8	180	110	160	80	67	7*11	
ACL-AF0080-0M35-400		30	80	0.35	8.5	180	130	160	80	87	7*11	
ACL-AF0090-0M31-400		37	90	0.31	8.9	180	130	160	80	87	7*11	
ACL-AF0120-0M23-400		45	120	0.23	9.2	180	130	160	80	87	7*11	
ACL-AF0150-0M19-400		55	150	0.19	14.5	230	160	220	110	85	9*18	
ACL-AF0200-0M14-400		75	200	0.14	15.2	230	160	220	110	85	9*18	
ACL-AF0230-0M12-400		90	230	0.12	19.5	230	175	220	110	100	9*18	
ACL-AF0250-0M11-400		110	250	0.11	20.8	230	175	220	110	100	9*18	
ACL-AF0290-097U-400		C	132	290	0.097	27.6	260	185	265	140	110	9*18
ACL-AF0330-085U-400	160		330	0.085	29.2	260	185	265	140	110	9*18	
ACL-AF0400-070U-400	200		400	0.070	35.4	300	205	280	170	110	11*18	
ACL-AF0560-050U-400	250		560	0.050	47.3	300	230	280	170	135	11*18	
ACL-AF0600-047U-400	280		600	0.047	48.7	300	230	280	170	135	11*18	
ACL-AF0660-042U-400	315		660	0.042	50.1	300	230	280	170	135	11*18	
ACL-AF0800-035U-400	400		800	0.035	69.1	360	255	375	190	135	13*26	
ACL-AF1000-028U-400	500		1000	0.028	74.8	360	255	375	190	135	13*26	
ACL-AF1200-023U-400	D		560	1200	0.023	98	430	305	410	240	175	14*28
ACL-AF1600-018U-400			630	1600	0.018	100	430	305	410	240	175	14*29

规格 Type specification												
电抗器型号 Type	图号 Figure Number	变频器功率 Inverter Power (KW)	额定电流 Rated Current (A)	电感量 Inductance (mH)	重量 Weight (Kg)	尺寸 Dimensions (mm)						
						W	D	H	W0	D0	A*B	
OCL-AF0005-1M40-400	A	2.2	5	1.40	1.5	93	69	110	40	48	7*11	
OCL-AF0010-0M70-400		3.7	10	0.70	2.6	115	73	125	50	53	7*11	
OCL-AF0015-0M47-400		5.5	15	0.47	2.8	115	73	125	50	53	7*11	
OCL-AF0020-0M35-400		7.5	20	0.35	2.9	115	73	125	50	53	7*11	
OCL-AF0030-0M23-400	B	11	30	0.23	5.3	150	95	160	60	67	7*11	
OCL-AF0040-0M18-400		15	40	0.18	5.6	150	95	160	60	67	7*11	
OCL-AF0050-0M14-400	E	18.5	50	0.14	5.7	180	110	160	80	67	7*11	
OCL-AF0060-0M12-400		22	60	0.12	5.8	180	110	160	80	67	7*11	
OCL-AF0080-088U-400		30	80	0.088	8.5	180	130	160	80	87	7*11	
OCL-AF0090-078U-400		37	90	0.078	8.9	180	130	160	80	87	7*11	
OCL-AF0120-058U-400		45	120	0.058	9.2	180	130	160	80	87	7*11	
OCL-AF0150-047U-400		55	150	0.047	14.5	230	160	220	110	85	9*18	
OCL-AF0200-035U-400		75	200	0.035	15.2	230	160	220	110	85	9*18	
OCL-AF0230-030U-400		90	230	0.030	19.5	230	175	220	110	100	9*18	
OCL-AF0250-028U-400		110	250	0.028	20.8	230	175	220	110	100	9*18	
OCL-AF0290-024U-400		C	132	290	0.024	27.6	260	185	265	140	110	9*18
OCL-AF0330-021U-400	160		330	0.021	29.2	260	185	265	140	110	9*18	
OCL-AF0400-018U-400	200		400	0.018	35.4	300	205	280	170	110	11*18	
OCL-AF0560-013U-400	250		560	0.013	47.3	300	230	280	170	135	11*18	
OCL-AF0600-012U-400	280		600	0.012	48.7	300	230	280	170	135	11*18	
OCL-AF0660-011U-400	315		660	0.011	50.1	300	230	280	170	135	11*18	
OCL-AF0800-08U8-400	400		800	0.0088	69.1	360	255	375	190	135	13*26	
OCL-AF1000-06U4-400	500		1100	0.0064	74.8	360	255	375	190	135	13*26	
OCL-AF1200-05U8-400	D		560	1200	0.0058	98	430	305	410	240	175	14*28
OCL-AF1600-04U4-400			630	1600	0.0044	100	430	305	410	240	175	14*29

OCL-CF系列 三相交流输出电抗器 (1%压降 铜)
外形尺寸 Outline Dimension



规格 Type specification

电抗器型号 Type	变频器功率 Inverter Power (KW)	额定电流 Rated Current (A)	电感量 Inductance (mH)	重量 Weight (Kg)	尺寸 Dimensions (mm)					
					W	D	H	W0	D0	A*B
OCL-CF0005-1M40-400	2.2	5	1.40	1.65	93	69	110	40	48	7*11
OCL-CF0010-0M70-400	3.7	10	0.70	2.86	115	73	125	50	53	7*11
OCL-CF0015-0M47-400	5.5	15	0.47	3.08	115	73	125	50	53	7*11
OCL-CF0020-0M35-400	7.5	20	0.35	3.19	115	73	125	50	53	7*11
OCL-CF0030-0M23-400	11	30	0.23	5.83	150	95	160	60	67	7*11
OCL-CF0040-0M18-400	15	40	0.18	6.16	150	95	160	60	67	7*11
OCL-CF0050-0M14-400	18.5	50	0.14	6.27	180	110	160	80	67	7*11
OCL-CF0060-0M12-400	22	60	0.12	6.38	180	110	160	80	67	7*11
OCL-CF0080-088U-400	30	80	0.088	9.35	180	130	160	80	87	7*11
OCL-CF0090-078U-400	37	90	0.078	9.79	180	130	160	80	87	7*11
OCL-CF0120-058U-400	45	120	0.058	10.12	180	130	160	80	87	7*11
OCL-CF0150-047U-400	55	150	0.047	15.95	230	160	220	110	85	9*18
OCL-CF0200-035U-400	75	200	0.035	16.72	230	160	220	110	85	9*18
OCL-CF0230-030U-400	90	230	0.030	21.45	230	175	220	110	100	9*18
OCL-CF0250-028U-400	110	250	0.028	22.88	230	175	220	110	100	9*18
OCL-CF0290-024U-400	132	290	0.024	30.36	260	185	265	140	110	9*18
OCL-CF0330-021U-400	160	330	0.021	32.12	260	185	265	140	110	9*18
OCL-CF0400-018U-400	200	400	0.018	38.94	300	205	280	170	110	11*18
OCL-CF0560-013U-400	250	560	0.013	52.03	300	230	280	170	135	11*18
OCL-CF0600-012U-400	280	600	0.012	53.57	300	230	280	170	135	11*18
OCL-CF0660-011U-400	315	660	0.011	55.11	300	230	280	170	135	11*18
OCL-CF0800-08U8-400	400	800	0.0088	76.01	360	255	375	190	135	13*26
OCL-CF1000-06U4-400	500	1100	0.0064	82.28	360	255	375	190	135	13*26
OCL-CF1200-05U8-400	560	1200	0.0058	107.8	430	305	410	240	175	14*28
OCL-CF1600-04U4-400	630	1600	0.0044	110	430	305	410	240	175	14*29

直流电抗器又称直流平波电抗器，用于变频器的直流侧，电抗器中流过的是具有交流分量的直流电流。它的作用是将叠加在直流电流上的交流分量限定在某一规定值。还用于并联变频器的直流侧对耦，降低断续极限，限制环流线路中的环流，应用直流快速开关切断故障电流时限制电流上升率还被用在电流，电压型变频器中间回路的直流平波，这可用于整流电源平波，以消除纹波。

The DC reactor, also known as the DC smoothing reactor, is used on the DC side of the converter, and the DC current with the AC component flows through the reactor. Its function is to limit the AC component superimposed on the DC current to a specified value. It is also used for coupling on the DC side of parallel converters, reducing the intermittent limit, limiting the circulating current in the circulating current line, and limiting the current rise rate when the DC fast switch is used to cut off the fault current. It is also used in the intermediate circuit of the current and voltage type inverters DC smoothing, this can be used for rectified power smoothing to eliminate ripple.

直流电抗器

DC Reactor



全新上海宝钢硅钢片
New Shanghai Baosteel silicon steel sheet



支架烤漆，线包真空浸漆
Bracket paint, wire package vacuum dipping



H级漆包线，耐温达180°C
Class H e name led wire, temperature resistance up to 180. C



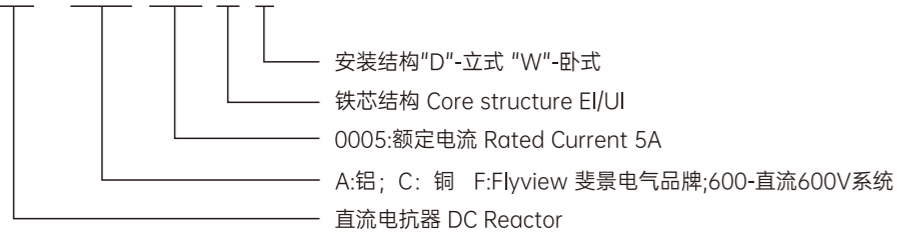
噪音小，温升高，性能稳定
Low noise, low temperature rise, stable performance



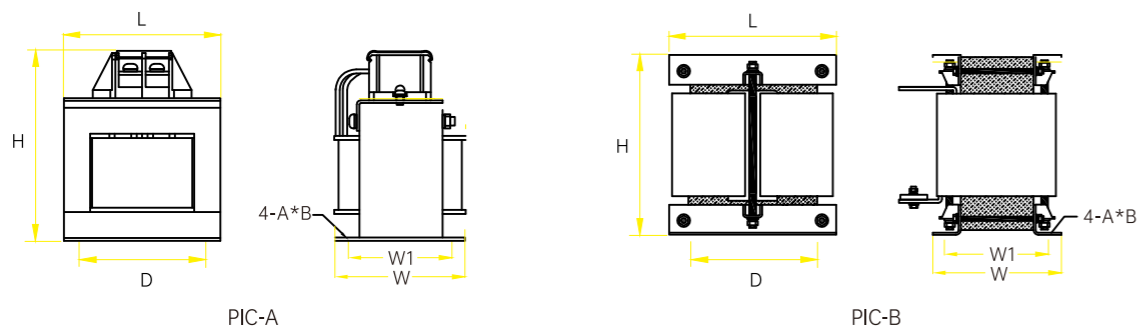
F级绝缘材料，美国杜邦绝缘纸，绝缘胶带
Class F insulating material, American DuPont insulating paper, insulating tape

型号说明 Product identification code

DCL - AF600-0005 EI D



外形尺寸 Outline Dimension



规格 Type specification

型号 Type	图号 Figure Number	适配功率 Adapted Power (KW)	额定电流 Rated Current (A)	绝缘等级 Insulation Class	额定电感量 Rated Inductance (mH)	尺寸 Dimensions (mm)						重量 Weight (Kg)
						L	W	H	D	W1	A*B	
DCL-CF600-0003-EID	PIC-A	0.75	3	F,H	28	90	110	120	68	65	6*11	1.5
DCL-CF600-0006-EID		2.2	6	F,H	11	90	110	120	68	65	6*11	1.5
DCL-CF600-0010-EID		4	12	F,H	6.3	90	110	120	68	65	6*11	1.5
DCL-AF600-0015-EID		5.5	15	F,H	3.6	100	120	130	78	70	6*11	3.2
DCL-AF600-0020-EID		7.5	20	F,H	3.6	100	120	130	78	70	6*11	3.2
DCL-AF600-0030-EID		11	30	F,H	2.0	110	120	135	87	70	6*11	3.8
DCL-AF600-0033-EID		15	33	F,H	2.0	110	120	135	87	70	6*11	3.8
DCL-AF600-0040-EID		18.5	40	F,H	1.3	110	120	135	87	70	6*11	3.8
DCL-AF600-0050-EID		22	50	F,H	1.08	120	135	145	95	85	8.5*13	5.5
DCL-AF600-0065-EID		30	65	F,H	0.8	135	145	175	110	85	8.5*13	7.2
DCL-AF600-0080-EID		37	80	F,H	0.7	135	145	175	110	85	8.5*13	7.5
DCL-AF600-0100-EID		45	100	F,H	0.54	135	145	175	110	85	8.5*13	7.8
DCL-AF600-0120-EID		55	120	F,H	0.45	155	150	195	125	95	9*18	9.2
DCL-AF600-0160-UID		75	160	F,H	0.36	155	160	195	125	95	9*18	10
DCL-AF600-0200-UID		90	200	F,H	0.33	160	200	230	100	108	9*18	20
DCL-AF600-0250-UID	110	250	F,H	0.26	210	225	260	176	117	11*18	23	
DCL-AF600-0300-UID	132	300	F,H	0.26	210	225	260	176	117	11*18	23	
DCL-AF600-0330-UID	160	330	F,H	0.17	210	225	260	176	117	11*18	23	
DCL-AF600-0400-UID	185	400	F,H	0.09	220	240	285	191	117	11*18	28	
DCL-AF600-0500-UID	220	500	F,H	0.06	220	240	285	191	117	11*18	28	
DCL-AF600-0650-UID	300/315	660	F,H	0.05	220	250	285	191	127	11*18	33	
DCL-AF600-0800-UID	380	800	F,H	0.055	240	280	330	210	140	11*18	45	
DCL-AF600-1000-UID	450	1000	F,H	0.04	240	300	330	210	165	11*18	58	

DUDT (DVDT) 滤波电抗器

DUDT (DVDT) Filter Reactor

变频器输出侧，抑制开关频率纹波电流所衍生的高次谐波电流，降低长电缆行波反射dv/dt瞬变电压，从而降低电机涡流损耗及噪音，保护电机绝缘。主要应用于电源电压过高、老电机改造、非变频电机绝缘强度较低、频繁制动、较长电缆传输场合。

At the output side of the converter, the high-order harmonic current derived from the switching frequency ripple current is suppressed, and the DV / dt transient voltage reflected by the traveling wave of the long cable is reduced, so as to reduce the eddy current loss and noise of the motor and protect the insulation of the motor. It is mainly used in power supply voltage is too high, old motor transformation, non frequency conversion motor insulation strength is low, frequent braking, long cable transmission occasions.



全新上海宝钢硅钢片
 New Shanghai Baosteel silicon steel sheet



F级绝缘材料，美国杜邦绝缘纸，绝缘胶带
 Class F insulating material, American DuPont insulating paper, insulating tape



H级漆包线，耐高温达180°C
 Class H enameled wire, temperature resistance up to 180. C



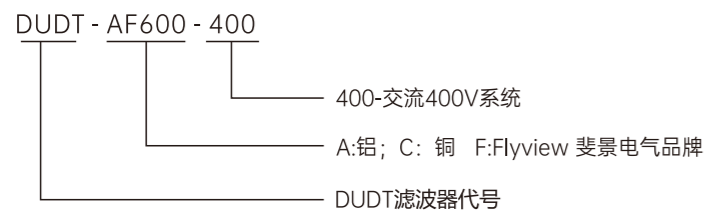
支架烤漆，线包真空浸漆
 Bracket paint, wire package vacuum dipping



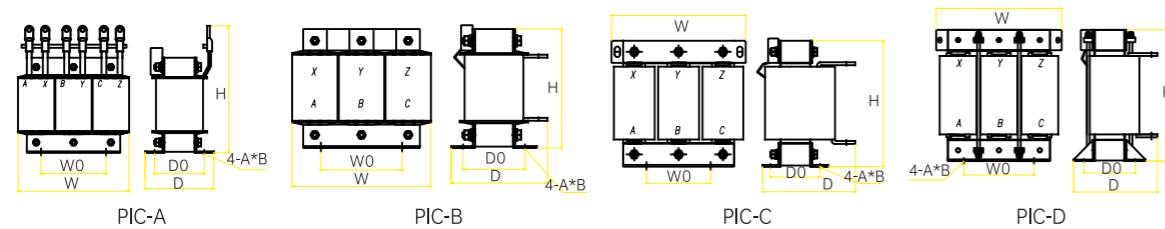
噪音小，温升低
 Low noise, low temperature rise



型号说明 Product identification code



外形尺寸 Outline Dimension



规格 Type specification

系统额定电压: 3-AC400V/690V, du/dt ≤ 500V/μs

滤波器型号 Type	图号 Figure Number	载波频率 Carrier Frequency (KHz)	额定电流 Rated Current (A)	允许电缆长度最大 Maximum Allowable Cable Length (m)	重量 Weight (Kg)	尺寸 Dimensions (mm)					
						W	D	H	W0	D0	A*B
DUDT-AF0010-400	PIC-A	5	10	400	5.9	150	95	160	60	67	7*11
DUDT-AF0013-400		5	13	400	6.4	150	95	160	60	67	7*11
DUDT-AF0016-400		5	16	400	6.5	150	95	160	60	67	7*11
DUDT-AF0025-400		4	25	400	8.4	180	130	190	80	87	7*11
DUDT-AF0030-400		4	30	400	8.7	180	130	190	80	87	7*11
DUDT-AF0040-400	PIC-B	4	40	400	12.4	230	160	190	110	85	9*18
DUDT-AF0045-400		4	45	400	12.6	230	160	190	110	85	9*18
DUDT-AF0060-400		3	60	400	14.3	230	160	220	110	85	9*18
DUDT-AF0075-400		3	75	400	14.5	230	160	220	110	85	9*18
DUDT-AF0090-400		3	90	400	14.9	230	160	220	110	85	9*18
DUDT-AF0110-400	PIC-C	3	110	400	19	230	175	220	110	100	9*18
DUDT-AF0150-400		3	150	400	19.8	230	175	220	110	100	9*18
DUDT-AF0180-400		3	180	400	26.8	260	185	265	140	110	9*18
DUDT-AF0220-400		3	220	400	27.8	260	185	265	140	110	9*18
DUDT-AF0260-400		3	260	400	33.9	300	195	280	170	110	11*18
DUDT-AF0320-400	PIC-D	3	320	400	35.8	300	195	280	170	110	11*18
DUDT-AF0400-400		3	400	400	47.5	300	230	280	170	135	11*18
DUDT-AF0480-400		3	480	400	66.1	360	250	375	190	135	13*26
DUDT-AF0540-400		3	540	400	67.9	360	250	375	190	135	13*26
DUDT-AF0600-400	PIC-D	3	600	400	69.3	360	250	375	190	135	13*26
DUDT-AF0800-400		2	800	400	96	430	290	410	240	175	14*28
DUDT-AF1000-400		2	1000	400	100.7	430	290	410	240	175	14*28
DUDT-AF1100-400		2	1100	400	134.8	430	305	510	240	190	14*28
DUDT-AF1200-400	2	1200	400	137.5	430	305	510	240	190	14*28	

正弦波滤波器

Sine Wave Filter



全新上海宝钢硅钢片
New Shanghai Baosteel silicon steel sheet



F级绝缘材料, 美国杜邦绝缘纸, 绝缘胶带
Class F insulating material, American DuPont insulating paper, insulating tape



H级漆包线, 耐温达180°C
Class H enameled wire, temperature resistance up to 180.°C



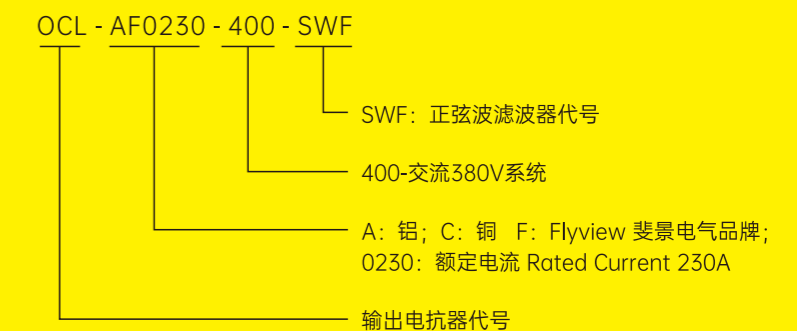
支架烤漆, 线包真空浸漆
Bracket paint, wire package vacuum dipping



噪音小, 温升低
Low noise, low temperature rise



型号说明 Product identification code



正弦波滤波器的作用是将变频输出的PWM波转换成正弦波。在电机电压为50Hz时，使用正弦波滤波器其畸变系数约为5%（部分品牌的变频器应用后，畸变率会大于此数据）。

其主要的功能包括两个方面：

- 1、整变频器输出的波形。变频器输出的波形为PWM波，是介于方波和正弦波之间的波形，加上正弦波滤波器之后，会把PWM波改造成比较像正弦波的波形；
- 2、实现变频器的远距离传输。一般情况下，国产的变频器与负载的距离，超过50米，就必须加电抗器，如果对变频器输出波形有要求的话，就要加正弦波滤波器；对于进口变频器来讲，一般情况下，距离（连线的长度）超过100米，就要加。

正弦波滤波器特点：

- 1、延长电机寿命
- 2、保护电机绝缘
- 3、减小电机轴承电流

The function of the sine wave filter is to convert the PWM wave output by the variable frequency into a sine wave. When the motor voltage is 50Hz, the distortion coefficient of the sine wave filter is about 5% (after some brands of inverters are applied, the distortion rate will be greater than this data).

Its main functions include two aspects:

1. Adjust the waveform output by the inverter. The waveform output by the inverter is a PWM wave, which is a waveform between a square wave and a sine wave. After adding a sine wave filter, the PWM wave will be transformed into a waveform that is more like a sine wave;
2. Realize the long-distance transmission of the frequency converter. In general, if the distance between the domestic frequency converter and the load exceeds 50 meters, reactor must be added. If there is a requirement for the output waveform of the frequency converter, a sine wave filter must be added; for imported frequency converters, generally in some cases, if the distance (the length of the connection) exceeds 100 meters, it will be added.

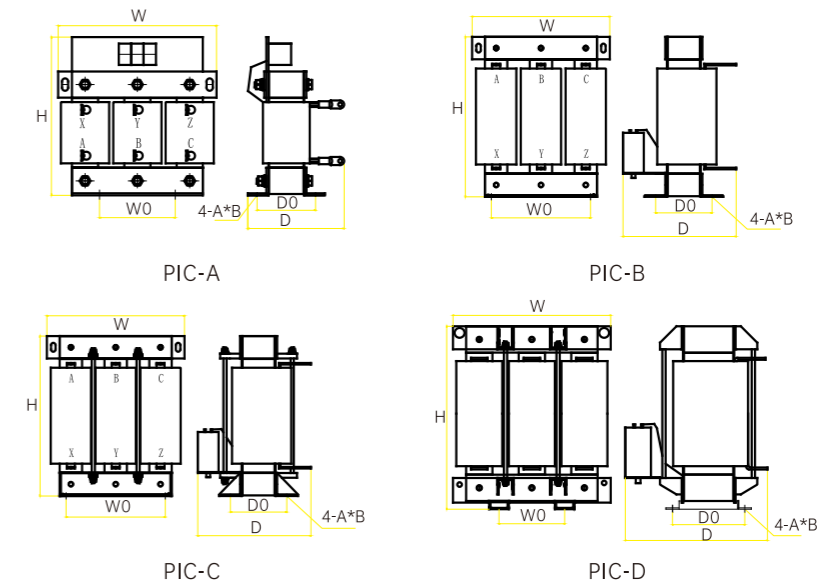
Sine wave filter characteristics:

1. Extend motor life
2. Protect motor insulation
3. Reduce motor bearing current
4. Increase the transmission distance
5. Improve system reliability

- 4、增加传输距离
- 5、提高系统可靠性
- 6、应用该滤波器后普通电机可以取代变频电机
- 7、对电磁干扰的抑制效果好
- 8、由于变频器的输出含有高频谐波，增加了动力电缆及电机的损耗；同时极高的dv/dt会引起数MHz的辐射干扰；如果电机需要长线传输时（电机线缆超过50米），由于行波反射引起电机端电压叠加，使电机绝缘破坏，甚至使电缆爆裂。
- 9、对于谐波电流，可以通过改变调制方式，降低谐波分量但不能完全消除。由dv/dt引起的射频干扰，可以加装dv/dt电磁滤波器，但只能对一定长度的电缆有效，并不适合任意长度的电缆。
- 10、能同时解决以上问题的有效方法使在变频器输出侧加装正弦波滤波器，将SPWM调制波滤成近似正弦的电压波形，正弦波滤波器由高频出相电抗器，RC回路，共模电抗器组成。可以有效的抑制高频损耗及dv/dt射频干扰，并使电机和变频器的线缆延长至500米，甚至使3千米。

6. After applying the filter, the ordinary motor can replace the variable frequency motor
7. Good suppression effect on electromagnetic interference
8. Since the output of the inverter contains high-frequency harmonics, the loss of the power cable and the motor is increased; at the sametime, the extremely high dv/dt will cause radiation interference of several MHz; if the motor needs long-term transmission (the motor cable exceeds 50 meters), due to the superposition of motor terminal voltage caused by traveling wave reflection, the motor insulation will be damaged, and even the cable will burst.
9. For harmonic current, the harmonic component can be reduced but not completely eliminated by changing the modulation method. For the radio frequency interference caused by dv/dt, adv/dt electromagnetic filter can be added, but it is only effective for a certain length of cable, not suitable for any length of cable.
10. An effective method that can solve the above problems at the sametime is to install a sine wave filter on the output side of the inverter to filter the SPWM modulation wave into an approximately sinusoidal voltage waveform. The sine wave filter consists of a high-frequency phase-out reactor, anRC loop, Composed of common mode reactors. It can effectively suppress high-frequency loss and dv/dt radio frequency interference, and extend the cable between the motor and the inverter to 500 meters, or even 3 kilometers.

外形尺寸 Outline Dimension



规格 Type specification (SWF系列)

订货时请说明材质-铝/铜,压降

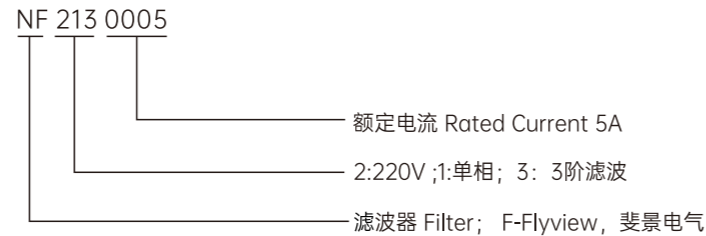
正弦波滤波器 (UD=8%-12.5%) 技术参数 系统额定电压：3-AC400V，THDI≤5%,输出电缆长度可达1000m

电抗器型号 Type	图号 Figure Number	载波频率 Carrier Frequency (KHz)	变频器功率 Inverter Power (KW)	额定电流 Rated Current (A)	重量 Weight (Kg)	尺寸 Dimensions (mm)					
						W	D	H	W0	D0	A*B
OCL-AF0005-400-SWF	PIC-A	5	2.2	5	5.1	150	105	160	60	67	7*11
OCL-AF0010-400-SWF		5	3.7	10	6.1	180	120	190	80	67	7*11
OCL-AF0013-400-SWF		5	5.5	13	8.8	180	140	190	80	87	7*11
OCL-AF0016-400-SWF		5	7.5	16	9	180	140	190	80	87	7*11
OCL-AF0025-400-SWF		4	11	25	13.5	230	160	220	110	85	9*18
OCL-AF0030-400-SWF		4	15	30	13.8	230	160	220	110	85	9*18
OCL-AF0040-400-SWF		4	18.5	40	16.5	230	165	265	110	85	9*18
OCL-AF0045-400-SWF	4	22	45	19.3	230	175	265	110	95	9*18	
OCL-AF0060-400-SWF	PIC-B	3	30	60	27.7	260	205	285	140	110	9*18
OCL-AF0075-400-SWF		3	37	75	33.8	300	230	285	170	110	11*18
OCL-AF0090-400-SWF		3	45	90	35.7	300	230	285	170	110	11*18
OCL-AF0110-400-SWF	PIC-C	3	55	110	58.5	360	250	375	190	125	13*26
OCL-AF0150-400-SWF		3	75	150	67.7	360	260	375	190	135	13*26
OCL-AF0180-400-SWF		3	90	180	85.7	430	305	410	240	165	14*28
OCL-AF0220-400-SWF		3	110	220	89.4	430	305	410	240	165	14*28
OCL-AF0260-400-SWF		3	132	260	115.7	430	335	410	240	195	14*28
OCL-AF0320-400-SWF		3	160	320	128.6	430	345	410	240	205	14*28
OCL-AF0400-400-SWF		3	200	400	161.9	430	355	510	240	215	14*28
OCL-AF0480-400-SWF	3	250	480	168.8	430	355	510	240	215	14*28	
OCL-AF0600-400-SWF	PIC-D	3	315	600	194.3	480	380	540	200	210	14*28
OCL-AF0800-400-SWF		2	400	800	266	480	460	660	200	230	14*28
OCL-AF1000-400-SWF		2	500	1000	319.6	540	470	690	220	230	14*28
OCL-AF1200-400-SWF		2	630	1200	392	600	520	710	240	240	14*28

单相高频滤波器

Single Phase High Frequency Filter

型号说明 Product identification code



电源滤波器的目的是在抑制电磁噪声，噪声的影响可分为以下二种：

发射（Emissions）：是要将由设备产生，影响电源或其他设备的噪声降到法规（例如FCC part 15）允许值以下，例如由开关电源产生的噪声。

抗扰（Immunity）：是要将进入设备的噪声降低到不会使设备出现异常动作的程度，例如用在广播电台发射设备中的仪器。

电源滤波器要抑制的噪声可分为以下的二种：

共模：在二条（或多条）电源线都相同的噪声，可视为电源线对地的噪声。差模：电源线和电源线之间的噪声。

同一个电源滤波器对于共模噪声及差模噪声的抑制能力会有所不同，一般会用频率对应抑制量（以分贝表示）的频谱来说明。

电源线滤波器的作用是使设备能够满足电磁兼容标准中对传导发射和传导敏感度的要求，电源线滤波器对抑制设备产生的辐射干扰方面也很重要。严格地说，电源线滤波器的作用是防止设备本身产生的电磁干扰进入电源线，同时防止电源线上的干扰进入设备。电源滤波器是一种低通滤波器，它允许直流或50Hz的工作电流通过，而不允许频率较高的电磁干扰电流通过。电源线滤波器是双向的，它既能防止电网上的干扰进入设备对设备产生不良影响，使设备满足传导敏感度的要求；又能防止设备内的电磁干扰通过。电源线传到电网上，使设备满足传导发射的要求。能够产生较强干扰的设备和对外界干扰敏感的设备都要使用电源线滤波器。

能够产生强干扰的设备有：含有脉冲电路（微处理器）的设备、使用开关电源的设备、使用可控硅的设备、变频速设备、含有马达的设备等。敏感电路如：使用微处理器的设备、小信号模拟电路等。

The purpose of the power filter is to suppress electromagnetic noise, and the influence of noise can be divided into the following two types: Emissions:

It is to reduce the noise generated by the equipment and affect the power supply or other equipment below the allowable value of the regulations (such as FCC part 15), such as the noise generated by the switching power supply.

Immunity:

It is to reduce the noise entering the equipment to the extent that it will not cause abnormal actions of the equipment, such as instruments used in broadcasting station transmitting equipment.

The noise to be suppressed by the power filter can be divided into the following two types:

Common mode: The same noise on two (or more) power lines, which can be regarded as noise from the power line to ground.

Differential Mode: Noise between power lines and power lines.

The suppression ability of the same power filter for common mode noise and differential mode noise will be different, which is generally explained by the frequency spectrum corresponding to the suppression amount (expressed in decibels).

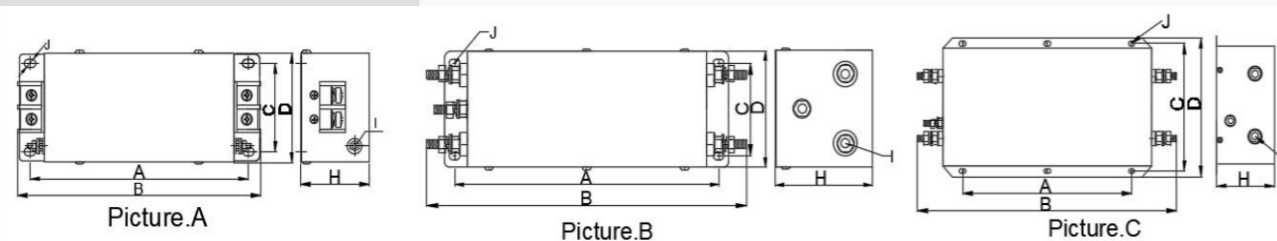
The function of the power line filter is to enable the equipment to meet the requirements of the electromagnetic compatibility standard for conducted emission and conduction sensitivity.

The power line filter is also very important in suppressing strong radiation interference from the equipment. Strictly speaking, the function of the power line filter is to prevent the electromagnetic interference generated by the equipment itself from entering the power line, and at the same time prevent the interference on the power line from entering the equipment.

The power filter is a low-pass filter that allows DC or 50Hz operating current to pass through, but does not allow high-frequency electromagnetic interference current to pass through. The power line filter is bidirectional. It can prevent the interference on the power grid from entering the equipment and cause adverse effects on the equipment, so that the equipment can meet the requirements of conduction sensitivity; it can also prevent the electromagnetic interference in the equipment from passing through.

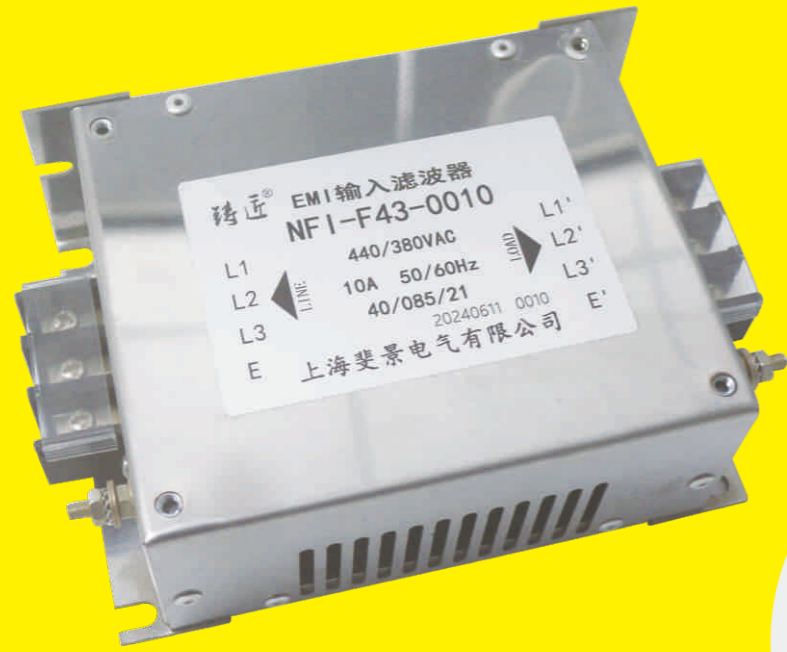
The power line is transmitted to the grid, so that the equipment meets the requirements of conducted emission. Equipment that can generate strong interference and equipment that is sensitive to external interference must use a power line filter.

Devices that can generate strong interference include: devices containing pulse circuits (microprocessors), devices using switching power supplies, devices using thyristors, frequency conversion speed control devices, devices containing



规格 Type specification

型号 Type	图号 Figure Number	额定电流 Rated Current (A)	尺寸 Dimensions (mm)							接线方式 Connection method
			A	B	C	D	H	I	J	
NF-211-0005	A	5	85	97	37	56	45	/	4.0	端子
NF-211-0010		10	85	97	37	56	45	/	4.0	端子
NF-211-0020		20	85	97	37	56	45	/	4.0	端子
NF-211-0030		30	184	204	60	86	58	M4	6.4*9.4	端子
NF-211-0045		45	184	204	60	86	58	M4	6.4*9.4	端子
NF-211-00050		50	198	225	70	100	75	M6	6.4*9.4	端子
NF-211-0065	B	65	198	225	70	100	75	M6	6.4*9.4	端子
NF-211-0080		80	243	280	80	100	90	M8	6.4*9.4	螺杆
NF-211-0100	C	100	243	280	80	100	90	M8	6.4*9.4	螺杆
NF-211-0150		150	260	390	184	200	90	M10	6.4*9.4	螺杆
NF-211-0200		200	260	390	184	200	90	M10	6.4*9.4	螺杆



三相高频滤波器

Three Phase High Frequency Filter

在变频器整流的过程中，可以产生大量的高次谐波，据不完全统计，最高的电流畸变率，可以达到70%以上。这些高次谐波，会通过变频器输入端连接的电源线，进入到电网中，进而会影响到使用这一电网的敏感设备的正常工作；

变频器输入滤波器，就是为了解决变频器干扰电网的问题，同时，亦能解决变频器遭受电网中的谐波危害所产生的过压、过流、欠压、过载、过热等误报警、误动作、拒动等问题。

变频器输出滤波器，就是安装在变频器输出端，用以抑制变频器逆变过程中产生的谐波，防止其顺着变频器输出端与电机之间的连线，进入电机，进而避免电机因遭受变频器输出端的谐波所引发的过热、噪音过大、震动剧烈、绝缘快速老化等问题。

In the process of inverter rectification, a large number of high-order harmonics can be generated. According to incomplete statistics, the highest current distortion rate can reach more than 70%. These high-order harmonics will enter the power grid through the power line connected to the input terminal of the inverter, and then affect the normal operation of sensitive equipment using this power grid;

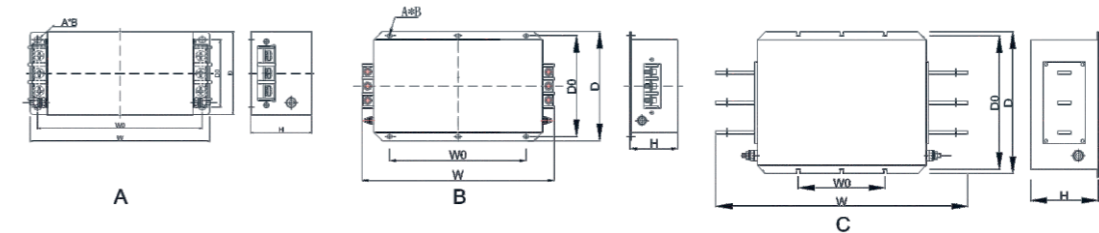
The inverter input filter is to solve the problem of the inverter interfering with the power grid. At the same time, it can also solve the over voltage, overcurrent, under voltage, overload, overheating and other false alarms and false alarms caused by the harmonic hazards in the power grid. Action, refusal to move, etc.

The inverter output filter is installed at the output end of the inverter to suppress the harmonics generated during the inverter inverter process and prevent them from entering the motor along the connection between the inverter output end and the motor, thereby preventing the motor from Problems such as overheating, excessive noise, severe vibration, and rapid aging of insulation caused by the harmonics at the output of the inverter.

型号说明 Product identification code



外形尺寸 Outline Dimension



规格 Type specification

输入型号 Input Filter Type	输出型号 Output Filter Type	图号 Figure Number	适配功率 Adapted Power (KW)	额定电压 Rated Voltage (V)	额定电流 Rated Current (A)	尺寸 Dimensions (mm)					重量 Weight (Kg)	
						W	D	H	W0	D0		A*B
NFI-F43-0005	NFO-F43-0005	A	1.5	380	5	202	86	58	184	70	6.4*9.4	0.55
NFI-F43-0010	NFO-F43-0010		2.2	380	10	202	86	58	184	70	6.4*9.4	1.15
NFI-F43-0020	NFO-F43-0020		7.5	380	20	202	86	58	184	70	6.4*9.4	1.15
NFIHF43-0036	NFO-F43-0036		15	380	36	215	100	75	195	70	6.4*9.4	1.60
NFI-F43-0050	NFO-F43-0050		22	380	50	215	100	75	195	70	6.4*9.4	1.75
NFI-F43-0065	NFO-F43-0065		30	380	65	215	100	75	195	70	6.4*9.4	1.95
NFI-F43-0080	NFO-F43-0080		37	380	80	265	125	90	243	95	6.4*9.4	3.00
NFI-F43-0100	NFO-F43-0100		45	380	100	265	125	90	243	95	6.4*9.4	3.15
NFI-F43-0120	NFO-F43-0120		55	380	120	265	25	90	243	95	6.4*9.4	4.00
NFI-F43-0150	NFO-F43-0150	B	75	380	150	282	90	90	240	75	6.4*9.4	4.20
NFI-F43-0200	NFO-F43-0200		90	380	200	282	190	90	240	175	6.4*9.4	4.30
NFI-F43-0250	NFO-F43-0250	C	110	380	250	300	220	90	195	100	6.4*9.4	4.90
NFI-F43-0300	NFO-F43-0300		132	380	300	300	220	90	195	100	6.4*9.4	5.60
NFI-F43-0400	NFO-F43-0400		160	380	400	315	260	128	245	105	7.5*6.4	9.20
NFI-F43-0500	NFO-F43-0500		250	380	500	315	260	128	245	105	7.5*6.4	9.50
NFI-F43-0600	NFO-F43-0600		315	380	600	315	260	128	245	105	7.5*6.4	9.80
NFI-F43-0800	NFO-F43-0800		400	380	800	380	245	260	320	230	7.5*6.4	16.00
NFI-F43-1000	NFO-F43-1000		500	380	1000	456	270	290	400	250	7.5*6.4	19.00
NFI-F43-1200	NFO-F43-1200		630	380	1200	456	270	290	400	250	7.5*6.4	25.00

产品用途 Product usage

专为消除变频器长驱动电缆导致的过冲电压而设计的电机保护器，安装在变频器的输出端能够延长电机寿命。

安装简便，改善电机性能，延长电机寿命效果明显；当电机驱动电缆的长度超过300米范围时保护电机。有落地机柜式和机柜内式两种结构形式，满足不同场合的应用要求；

滤除变频器输出PWM波中的载波成分，将PWM波形转换为正弦波。本电路是阻低通滤波器，不仅能消除载波成分，还能补偿电机的无功功率。

The motor protector is specially designed to eliminate the overshoot voltage caused by the long driving cable of the frequency converter, and it can prolong the life of the motor when installed at the output end of the frequency converter.

I Easy to install, improve the performance of the motor and prolong the life of the motor ;

I Protect the motor when the length of the motor drive cable exceeds 300 meters. There are two structural forms, floor cabinet type and cabinet built-in type, to meet the application requirements of different occasions;

I Filter out the carrier component in the PWM wave output by the inverter, and convert the PWM waveform into a quasi-sine wave. The basic circuit is a damping low-pass filter, which can not only eliminate the carrier component, but also compensate the reactive power of the motor.

产品特点 Product characteristics

减小共模电流，从而减小轴承电流和电磁干扰；减小电机噪声、振动和发热，从而延长电机寿命；消除力矩抖动；

消除过冲电压，保护电机绝缘，延长电机寿命；输出正弦波电压，可作为升压变压器的输入。

额定电压：440VAC

试验电压：（1分钟）线与线1500VDC线与地2250VDC

工作频率：50/60HZ

绝缘电阻：线与地 500VDC ≥1500MΩ

Reduce common mode current, thereby reducing bearing current and electromagnetic interference;

Reduce motor noise, vibration and heat, thereby prolonging the life of the motor ; Eliminate torque jitter ;

Eliminate overshoot voltage, protect motor insulation, and prolong motor life; The output sine wave voltage can be used as the input of a step-up transformer. Rated voltage: 440VAC

Test voltage: (1 minute) line to line 1500VDC line to ground 2250VDC Working frequency: 50/60HZ

Insulation resistance: line to ground 500VDC ≥1500MΩ

生产环境与生产设备

Production Environment And Production Equipment



成品待发



成品待发



成品待发



仓库一角



电抗器，变压器测试台

典型客户 Customer

中兴能源-国营

ZTE Energy - State-owned

中国科学院-国营

Chinese Academy of Sciences - State-run

信華電科技(吴江)有限公司-台资

Xinhua Electronic Technology (Wujiang) Co., Ltd.-Taiwan-funded

江苏电器科学研究院股份有限公司-股份

Jiangsu Electrical Apparatus Research Institute Co., Ltd.-Shares

中国航天-国营

China Aerospace - State-run

东风汽车集团股份有限公司特种商用车公司-国营

Dongfeng Motor Group Co., Ltd. Special Commercial Vehicle Company-State-owned

SANKENサンケン電気株式会社-日本

SANKEN サンケン Electric Co., Ltd.-Japan